

EX-M80

Explosion-proof Mini IR Mobile Camera

www.vipro.com.tw



EX-M80 is an explosion-proof Mini IR Mobile Camera tailor-made for the rigorous requirements for hazardous areas. Featuring 304 stainless steel, intelligent IR switching technology, 3D digital noise reduction and 3D ring design for various angle view, EX-M80 delivers the high image quality and reliability demanded in the most challenging environments.

Applicable for areas with the explosive mixtures formed from class IIA, IIB and IIC T1-T6 group flammable gas, steam with air in area No.1, No.2, and appearing the explosive hazardous area due to the mixture of flammable dust and air in area No.20, No.21 and No.22.

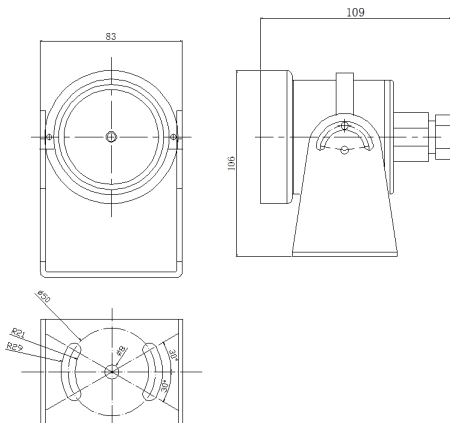
EX-M80 is suitable for tanker, dangerous good transport vehicles, small warehouses, chemical reagents labs, pharmaceutical plants, explosion-proof elevator and also high requirements on size and weight places.

Key features

- Integrate explosion-proof camera and infrared lamp, IR lamp turned on automatically when lack of visible light, IR CUT shifted day & night
- SONY EFFIO Super HAD/ Exview HAD project ultra-high pixel 960H (PAL: 976*582) CCD
- Photographic properties dramatically increase, the min. illumination at color 0.001Lux@F1.2
- The newest broad dynamic technology, dynamic range greater than 75dB
- 3D digital noise reduction technology for crisp and bright pictures at night
- IR night vision distance at 15-20m, high quality image showed even in badly lighting areas
- Optics class toughened ultra-clear white explosion-proof glass, flux rate higher than 96%, completely eliminate infrared light halos.
- Invisible nano wiper, non-stick water or oil
- 304 Electropolished stainless steel surface processing, elegant structure, explosion-proof, dust-proof, water-proof, rust-proof
- Intelligent 3D ring design, convenient to install at any angle, high quality pictures after adjustment

Dimensions

(unit: mm)



Accessory:

IR Bracket	Aluminum, wall mount, pole mount, used for proof shield & ex-proof cameras, load 30kg
Universal Joint	Aluminum, used for proof shield & ex-proof cameras, load 30kg
Ex-proof Flexible Tube BNG	Diameter: ϕ 15mm Length: 1200mm Interface: rubber $\frac{1}{2}$ " , $\frac{3}{4}$ " stainless steel $\frac{3}{4}$ " Temp: -25°C ~ +70°C
Ex-proof Junction Box	Interface: $\frac{1}{2}$ " , $\frac{3}{4}$ "
Ex-proof Control Box	Stainless steel

Technical Specifications

Product series		EX-proof Mini IR Mobile Camera
Model		EX-M80-700
Mechanical features	Material quality	304 Stainless steel
	Surface treatment	Original stainless steel or Electro-polished surface (optional)
	Anti-hazard classification	Exd II CT6 / DIP A20 TA,T6
	Ingress Protection	IP68
	Interface spec	G-1/2"
	Weight	\leq 1.2kg (2.646lbs)
	Method of installation	Ceiling type & wall mounting
	Dimension (L x D x H)	110 x 90 x 90(mm)/ 4.33"x3.54"x3.54"
	Camera	Resolution
CCD		1/3 SONY Super EFFIO HAD / Exview HAD II CCD Sensor
Effective pixel		976 (H) x 582 (V)
TV System		PAL/NTSC
Lens		4mm/6mm/8mm/12mm for option
Signal-to-Noise Ratio		> 75dB
Minimum Illumination		0Lux (with IR on)
IR	IR Switch	AUTO \leq 10Lux
	IR Distance	20-30m
	Wavelength	850nm
Electrical	Input voltage	DC 12V
	Working current	\leq 2A
	Electrical Connectivity	composite cable
	Working temperature	-30°C~+70°C / -22°F~158°F
	Atmospheric Pressure	86~106kpa
Environmental	Relative Humidity	\leq 95%RH (\pm 25°C)
	Certification	ATEX, CNEX, CE, FCC