

Car Monitor series

4.3", 5.6", 7", 9" Color TFT-LCD and Wireless Digital Monitor

RM430

4.3" Rear View Mirror Monitor

www.vipro.com.tw

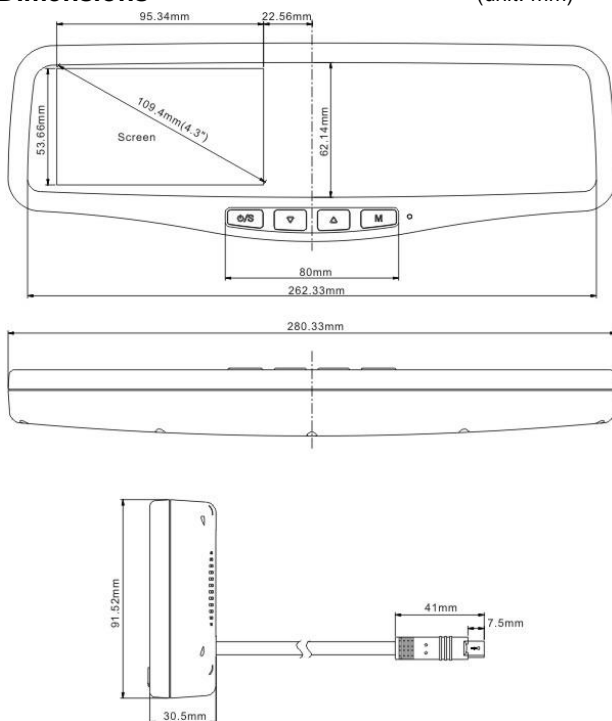


Key Features

- 4.3" TFT LCD color monitor with digital panel, wide angle view and high resolution display
- Mounted in rear mirror position of vehicles
- Adjustable mirror viewing angle
- Shatterproof standard: 2.84G
- Distance label can be switched on or off and adjusted up or down
- Automatic trigger management
- Automatic backlighting for buttons in dim light, for screen in dim light longer than 5sec (configurable lighting brightness)
- Automatic switch to back-up/left/right camera views
- Multi-lingual OSD: English, Dutch, French, German, Italian, Portuguese, Russian, Spanish
- Perform in rugged condition
- Operating temperature: -20°C~ 70°C
- Direct power supply for camera
- Wide power supply: DC12-32V, support 12V or 24V automobile battery

Dimensions

(unit: mm)



- ✓ Adjustable mirror viewing angle
- ✓ Shatterproof standard: 2.84G
- ✓ Backlighting for buttons and screen
- ✓ Support electronic distance label
- ✓ Trigger management of 2 cameras
- ✓ Wide voltage input: DC12-32V

Technical Specifications

Product series	4.3" Rear View Mirror Monitor
Model	RM430
TV system	PAL/NTSC/AUTO
Language system	8 languages selectable
Video input	2 video inputs & power supply for camera
Distance label	supported, adjusted up and down
Auto trigger management	2 camera trigger wires, automatically switch to camera upon triggered
Frame ratio	16:9
Dot pitch	0.198 (H) x 0.198 (V)
Resolution	480 (H) x 3 (RGB) x 272 (V)
Contrast	500:1
Brightness	800cd/m ²
Viewing angle	U: 50° / D: 70°, R/L: 70°/70°
Outer dimension (W x H x T)	280.33mm x 91.52mm x 30.5mm / 11.04" x 3.603" x 1.201"
Power supply	DC12-32V
Power consumption	3W
Operating temperature	-20°C~ 70°C / -4°F~158°F
Storage temperature	-30°C~80°C / -22°F~176°F
Relative Humidity	RH90%
Certifications	CE, FCC, E13

Accessories

AV & power supply adapter cable



Center mount bracket



4 screws for brackets (cross recessed pan head screw M3* silvery stainless steel)



User's manual

TM560

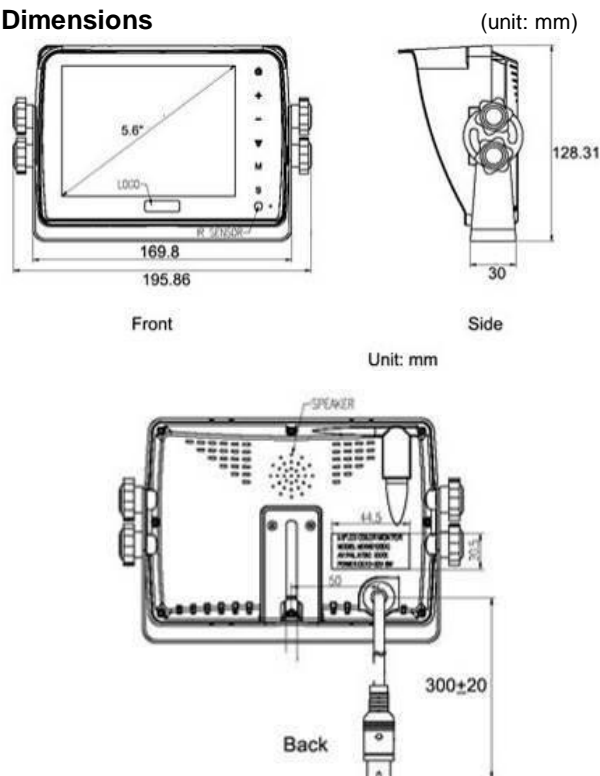
5.6" TFT LCD Digital Touch-Button Monitor



Key Features

- Automatic backlighting for buttons
- Control monitor with finger tips on the touch button system
- TFT LCD monitor with wide view angle and high resolution display
- Adjustable image for horizontal, vertical, mirror and normal viewing
- Multi-lingual OSD: English, Dutch, French, German, Italian, Portuguese, Russian, Spanish
- Mirror/Normal image switch available
- Automatically switch to back-up, left or right side camera views
- Full-function remote controller
- Multiple video formats: PAL/NTSC/AUTO
- 13-Pin:3 cameras inputs
- 22-Pin:4 cameras inputs, 1 video and 1 audio output
- Wide power supply: 10V~32V; Support 12V or 24V automobile battery
- Built-in speaker

Dimensions

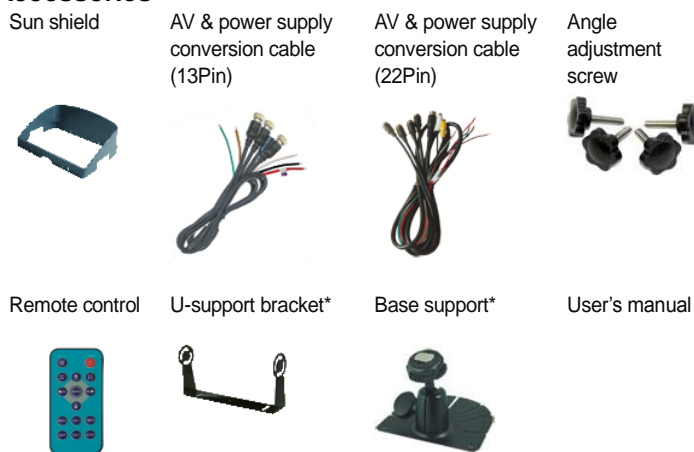


- ✓ Automatic backlighting for buttons
- ✓ Adjustable horizontal, vertical, mirror and normal view
- ✓ Mirror/Normal image switch available
- ✓ Automatic switch to back-up, left/right side camera view
- ✓ Wide power supply: 10V~32V; Support 12V or 24V automobile battery

Technical Specifications

Product series	5.6" TFT LCD Digital Touch-Button Monitor
Model	TM560
Audio output	1W
Loudspeaker	One 40 mm round loudspeaker
Dot pitch	0.0588 (H) x 0.1764 (V)
Resolution	640x3 (RGB) x 480
Contrast	500:1
Brightness	200cd/m ²
Viewing angle	U: 50° / D: 70°, R/L: 70°/70°
Outer dimension (W x H x T)	166.5mm x 115mm x 32.3mm / 6.555" x 4.528" x 1.272"
Power supply	Automobile storage battery (10-32V)
Power consumption	about 5W
Operating temperature	-20°C~ 70°C/ -4°F~158°F
Storage temperature	-30°C~80°C/ -22°F~176°F
Relative Humidity	RH90%
Certifications	CE, FCC

Accessories



(*): optional, excluded from standard package

TM710

7" TFT LCD Digital Touch-Button Monitor

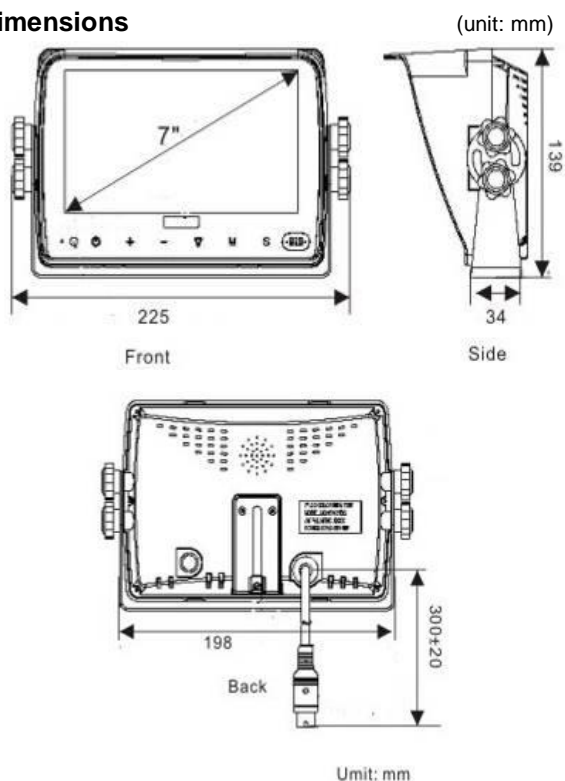
www.vipro.com.tw



Key Features

- Automatic backlighting for buttons
- Control monitor with finger tips on the touch button system
- TFT LCD monitor with wide view angle and high resolution display
- Adjustable image for horizontal, vertical, mirror and normal viewing
- Multi-lingual OSD: English, Dutch, French, German, Italian, Portuguese, Russian, Spanish
- Mirror/Normal image switch available
- Automatically switch to back-up, left or right side camera views
- Full-function remote controller
- Multiple video formats: PAL/NTSC/AUTO
- 13-Pin:3 cameras inputs
- 22-Pin:4 cameras inputs, 1 video and 1 audio output
- Wide power supply: 10V~32V; Support 12V or 24V automobile battery
- Built-in speaker

Dimensions

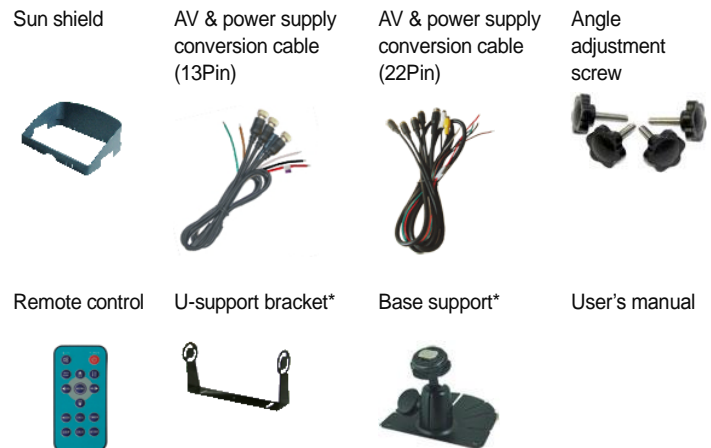


- ✓ Automatic backlighting for buttons
- ✓ Adjustable horizontal, vertical, mirror and normal view
- ✓ Mirror/Normal image switch available
- ✓ Automatic switch to back-up, left/right side camera view
- ✓ Wide power supply: 10V~32V; Support 12V or 24V automobile battery

Technical Specifications

Product series	7" TFT LCD Digital Touch-Button Monitor
Model	TM710
Audio output	1W
Loudspeaker	One 15x24 mm round loudspeaker
Dot pitch	0.192 (H) x 0.1805 (V)
Resolution	800x3 (RGB) x 480
Contrast	500:1
Brightness	400cd/m ²
Viewing angle	U: 50° / D: 60°, R/L: 70°/70°
Outer dimension (W x H x T)	194.6 x 128 x 39.3mm / 7.661" x 5.039" x 1.547"
Power supply	Automobile storage battery (10-32V)
Power consumption	about 6W
Operating temperature	-20°C~ 70°C/ -4°F~158°F
Storage temperature	-30°C~80°C/ -22°F~176°F
Relative Humidity	RH90%
Certifications	CE, FCC, E13

Accessories



(*): optional, excluded from standard package

TM720Q

7" Color TFT LCD Quad Monitor with Touch Screen

www.vipro.com.tw



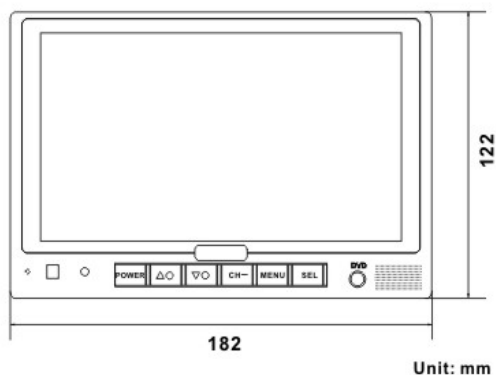
- ✓ *Single, dual, triple, quad image and PIP functions*
- ✓ *1 DVD/AV input and 4 camera inputs with configurable camera name*
- ✓ *Auto scanning and timed image switch*
- ✓ *Four trigger wires for cameras*
- ✓ *Applicable to both indoor/outdoor security systems and vehicle rear view systems*
- ✓ *Wide power supply: 10V~32V*

Key Features

- Single, dual, triple, quad, trefoil, Y-split image and PIP functions
- 1 DVD/AV input and 4 camera inputs with configurable camera name (max. 8 characters)
- Display effect, volume and mirror function for each camera can be individually setup.
- Priority of quad picture and dual picture configurable
- With trigger wire for dual picture, the relative cameras can be combined optionally.
- The boot-strap display can be set as preferred display mode.
- Four trigger wires for cameras
- Once a trigger wire is activated, image automatically switches to its relative camera.
- Auto scanning and timed image switch
- Image of monitor auto switches to the working channel
- Backup distance grid & left / right-turning indicator arrow available
- Applicable to both indoor / outdoor security systems and vehicle rear view systems
- Power output from the monitor: 4X300mA
- Wide power supply: 10V~32V
- New style with multiple functions; easy installation and convenient operation

Dimensions

(unit: mm)



Unit: mm

Technical Specifications

Product series	7" TFT LCD Quad Monitor with Touch Screen
Model	TM720Q
TV system	NTSC/PAL
Resolution	800x3 (RGB) x 480
Dot pitch	0.0642 (W) x 0.1790 (H)
Contrast	500:1
Brightness	400cd/m ²
Aspect ratio	16:9
Viewing angle	U: 50° / D: 70°, R/L: 70°/70°
Video inputs	4 video inputs for cameras; peak value: 1Vp-p, impedance: 75ohm
Video output	1 REC video output; peak value: 1Vp-p, impedance: 75ohm
Live Video output	peak value: 1Vp-p, impedance: 75ohm
DVD input	peak value: 1Vp-p, impedance: 75ohm
Audio inputs	4 audio inputs for cameras; peak value: 1Vp-p, impedance: 4.7K ohm
Audio outputs	1 Live audio output; peak value: 1Vp-p, impedance: 4.7K ohm
AUX input	peak value: 1Vp-p, impedance: 4.7K ohm
DVD audio input	peak value: 1Vp-p, impedance: 4.7K ohm
Loudspeaker	One 15x24 mm round loudspeaker
Touch screen specification	transmittance 80%
Operation pressure	10~110g
Response time	<10ms
Outer dimension (W x H x T)	194.6 x 128 x 39.3mm / 7.661" x 5.039" x 1.547"
Power supply	Automobile storage battery (10-32V)
Power consumption	Max. 25W
Power for cameras	Max. 4x300mA, 12V
Operating temperature	-20°C~ 70°C/ -4°F~158°F
Storage temperature	-30°C~80°C/ -22°F~176°F
Relative Humidity	RH90%
Certifications	CE

Accessories (*: optional and excluded from standard package)

Sun shield



AV & power supply conversion cable (13Pin)



AV & power supply conversion cable (22Pin)



Angle Adjustment screw



Remote control



U-support bracket*



Base support*



User's manual

Manual

TM910

9" TFT LCD Digital Touch-Button Monitor

www.vipro.com.tw



- ✓ Distance label configurable for up and down, left and right
- ✓ Auto scanning and timed image switch
- ✓ Automatic backlighting in dim light longer than 5sec
- ✓ Picture image adjustable for horizontal or vertical view
- ✓ Power supply for cameras
- ✓ Wide power supply: 10V~32V, support 12V and 24V system

Key Features

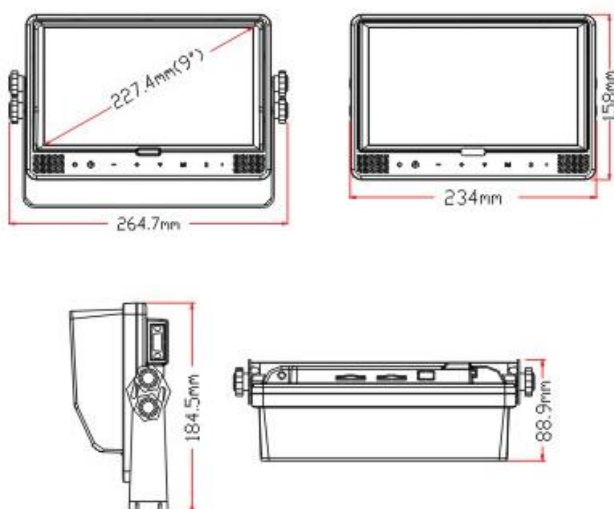
- 9 inch TFT LCD color touch button monitor with digital screen
- Distance label switchable and configurable for up and down, left and right based on user requirement
- Automatic backlighting in dim light longer than 5 sec (adjustable lighting brightness)
- Power supply to cameras with easy installation
- Adjustable image for horizontal and vertical viewing
- Auto scan: individual setup of each channel for on or off with interval from 1 to 90 sec
- Multi-lingual OSD: English, Dutch, French, German, Italian, Portuguese, Russian, Spanish
- Wide power supply: 10V~32V; Support 12V or 24V automobile battery

Technical Specifications

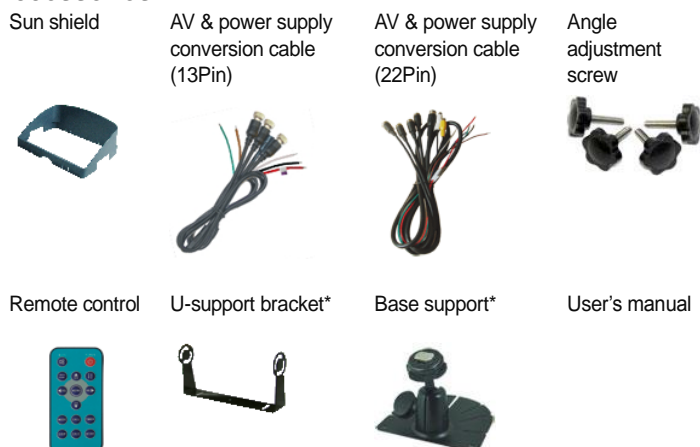
Product series	9" TFT LCD Digital Touch-Button Monitor
Model	TM910
TV system	PAL/NTSC/AUTO
Resolution	800 (H) x 480 (V)
Frame ratio	16:9 / 4:3
Contrast	500:1
Brightness	350cd/m ²
Dot pitch	0.0825 (H) x 0.2327 (V)
Viewing angle	U: 50° / D: 70°, R/L: 70°/70°
Video input	13PIN: support 3 audio inputs 22PIN: support 4 audio inputs, 1 audio output and 1 video input
Distance label	up and down, left and right
Trigger management	3 or 4 camera trigger wires (once triggered, monitor automatically switches to its corresponding camera)
Language system	8 languages selectable
Outer dimension (W x H x T)	264.7 x 184.5 x 88.9mm / 10.42" x 7.264" x 3.5"
Shatterproof standard	2.83G
Power supply	Automobile storage battery (10-32V)
Power consumption	about 6W
Operating temperature	-20°C~ 70°C/ -4°F~158°F
Storage temperature	-30°C~80°C/ -22°F~176°F
Relative Humidity	RH90%
Certifications	CE

Dimensions

(unit: mm)



Accessories



(*): optional, excluded from standard package

TM920Q

9" Color TFT LCD Quad Monitor with Touch Screen

www.vipro.com.tw



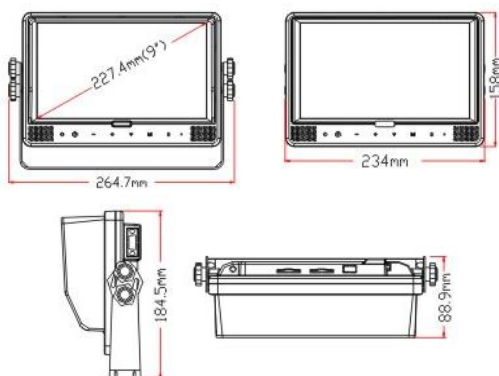
- ✓ *Picture image for Horizontal, Vertical, Mirror and Normal view*
- ✓ *Single, dual, triple, quad image and PIP functions*
- ✓ *Auto scanning and timed image switch*
- ✓ *Trigger management, auto scanning and time switch*
- ✓ *For indoor/outdoor security systems, vehicle/vessel surveillance*
- ✓ *Wide power supply: 10V-32V*

Key Features

- Adjustable picture image for Horizontal, Vertical, Mirror and Normal viewing; characters of the menu will not inverse in mirror view
- Single, dual, triple, quad, trefoil, Y-split image and PIP functions
- Trigger management: image automatically switches to its relative camera when trigger wire is activated
- Five trigger wires for cameras
- Auto scanning and timed image switch
- Reverse warning yardstick
- Touch screen available, can recognize down, left, right side "swipe", support two-point touch to realize channel switching
- With touch screen signal output, under the state of VGA display, when it's connected to computer through USB, user can control the computer through the touch screen
- 22-Pin: 4 AV inputs, 1 video output, and 1 audio output
- One VGA image input, resolution 800x600(60Hz), 640x480(60Hz), one VGA audio input (VGA optional)
- Applicable to both indoor / outdoor security systems, vehicle and vessel surveillance
- New style with innovative functions; easy installation and convenient operation

Dimensions

(unit: mm)



Technical Specifications

Product series	9" TFT LCD Quad Monitor with Touch Screen
Model	TM920Q
TV system	NTSC/PAL
Resolution	800x3 (RGB) x 480
Contrast	500:1
Brightness	400cd/m ²
Aspect ratio	16:9
Viewing angle	U: 50° / D: 70°, R/L: 70°/70°
Video inputs	4 video inputs for cameras; peak value: 1Vp-p, impedance: 75ohm
Video output	1 REC video output: peak value:1Vp-p, impedance: 75ohm 1 video sync output: peak value:1Vp-p, impedance: 75 ohm
Live Video output	peak value: 1Vp-p, impedance: 75ohm
DVD input	peak value: 1Vp-p, impedance: 75ohm
Audio inputs	4 audio inputs for cameras; peak value: 1Vp-p, impedance: 4.7Kohm
Audio outputs	1 REC audio sync input: peak value:1Vp-p, impedance: 4.7Kohm
Outer dimension(WxHxT)	264.7x184.5x88.9mm / 10.42"x7.264"x3.5"
Power supply	10-32V (Automobile storage battery)
Power consumption	Max. 25W
Power for cameras	Max. 4x300mA, 12V
Operating temperature	-20°C~70°C/ -4°F~158°F
Storage temperature	-30°C~80°C/ -22°F~176°F
Relative Humidity	RH90%
Certifications	CE

Accessories (*: optional and excluded from standard package)

Sun shield

AV & power supply conversion cable

VGA Cable*

Angle Adjustment screw

Remote control

U-support bracket*

Base support*

User's manual



Manual

TM930R

9" TFT LCD Digital Quad Monitor with Built-in DVR

www.vipro.com.tw



Key Features

- 9" TFT LCD color quad monitor with video recording function
- SD card recording up to 32G memory size and 12hour continuous recording
- Support 720x240(NTSC)/720x288(PAL) at 30fps
- Video file layout: AVI; Coded format: Motion JPEG
- Support four camera inputs and multi-channel output
- One channel video output: synchronous video output
- One channel audio output, one channel AUX input
- Picture adjustable for horizontal, vertical, mirror and normal viewing; characters of the menu will not inverse when set to mirror image
- Camera image display mode: single, dual, triple, quad, trefoil, Y-split image and PIP functions
- Support photographing & ETC time stamp (the date and time setting of the video)
- Five trigger lines: once a trigger line is activated, image automatically switches to its corresponding camera; trigger priority is available
- Touch screen: 9" resistive touch screen available, displaying up, down, left, right side "swipe"; support 2 point touch for channel switch
- Support touch button control function
- Support level 6 LCD manual backlighting adjustment; level 3 automatic adjustment
- Support IR remote control
- Loudspeaker: play audio signal from camera and external input; volume adjustable from 0 to 20
- Auto scan: scan channel and time configurable per user requirement
- Reverse warning yardstick
- Automatically boot when triggered in standby mode and automatically switch to triggered channel
- Short-circuit protection function
- Applicable to vehicle and vessel surveillance, indoor/outdoor security systems
- Multi-lingual OSD: English, Dutch, French, German, Italian, Portuguese, Russian, Spanish
- Wide power supply: 10V~32V

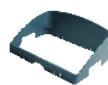
- ✓ *Distance label configurable for up and down, left and right*
- ✓ *Auto scanning and timed image switch*
- ✓ *Automatic backlighting in dim light longer than 5sec*
- ✓ *Picture image adjustable for horizontal or vertical view*
- ✓ *Power supply for cameras*
- ✓ *Wide power supply: 10V~32V, support 12V and 24V system*

Technical Specifications

Product series	9" TFT LCD Digital Quad Monitor with Built-in DVR
Model	TM930R
TV system	PAL/NTSC
Resolution	800 x 3(RGB) x 480
Frame ratio	16:9 / 4:3
Contrast	500:1
Brightness	400cd/m ²
Dot pitch	0.0825 (H) x 0.2327 (V)
Viewing angle	U: 50° / D: 70°, R/L: 70°/70°
Video input	4 channels camera video and 1 AUX video input; Peak value: 1Vp-p; Impedance: 75 ohm
Audio input	4 channels camera audio and 1 AUX audio input; Peak value: 1Vp-p; Impedance: 4.7 ohm
Storage	SD card (maximum 32G)
Video recording format	AVI
Coded format	Motion JPEG
Loudspeaker	1W/8Ω
Distance label	Up and down, left and right
Trigger management	5 camera trigger wires (once triggered, monitor automatically switches to its corresponding camera)
Language system	8 languages selectable
Outer dimension (W x H x T)	264.7 x 184.5 x 88.9mm / 10.42" x 7.264" x 3.5"
Shatterproof standard	2.83G
Power supply	Automobile storage battery (10-32V)
Power consumption	Max. 25W
Operating temperature	-20°C~ 70°C/ -4°F~158°F
Storage temperature	-30°C~80°C/ -22°F~176°F
Relative Humidity	RH90%
Certifications	N/A

Accessories

Sun shield



AV & power supply conversion cable



Angle adjustment screw



Remote control



U-support bracket*



Base support*



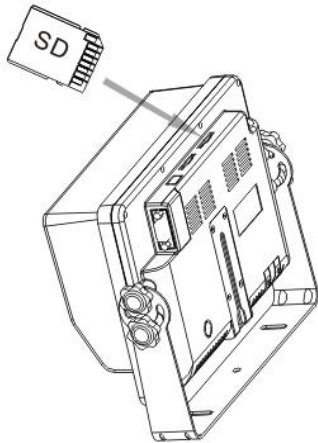
User's manual

(*): optional, excluded from standard package

TM930R

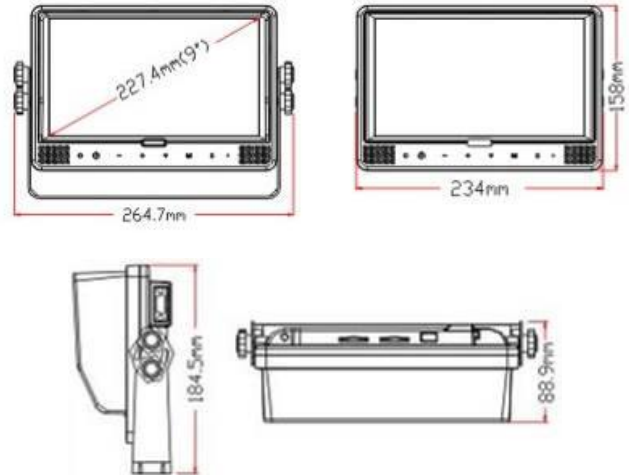
9" TFT LCD Digital Quad Monitor with Built-in DVR

SD Card installation

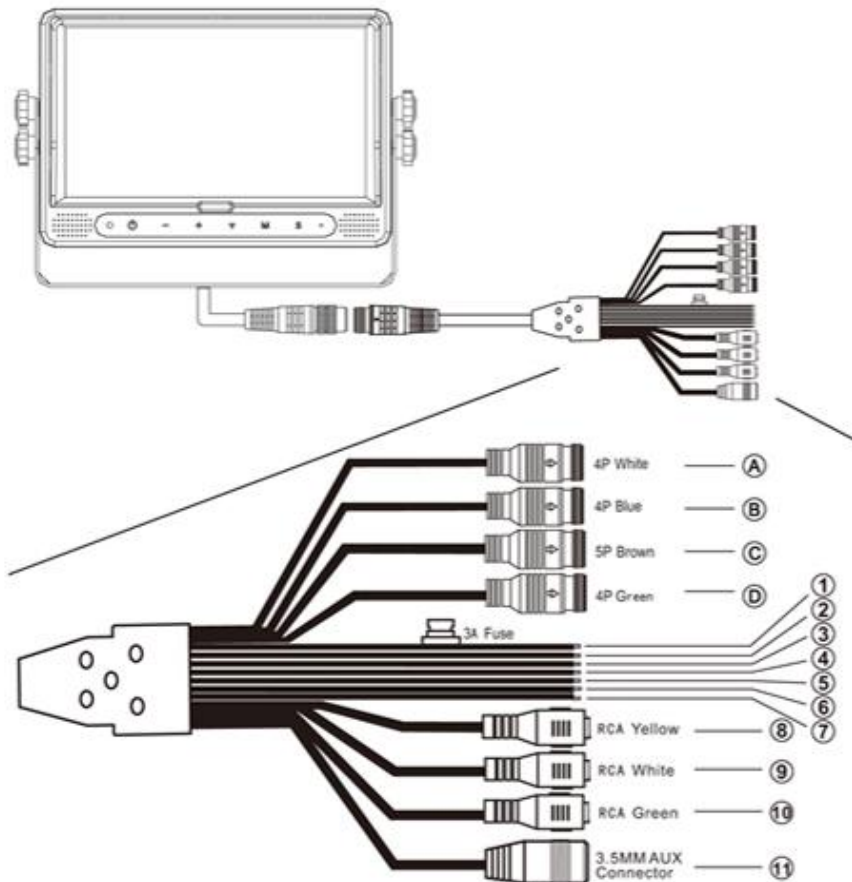


Dimensions

(unit: mm)



Connection diagram



A Camera 1 **B** Camera 2 **C** Camera 3 **D** Camera 4

1 Red: Power **2** White: Trigger 1 **3** Black: Ground **4** Blue: Trigger 2
5 Brown: Trigger 4 **6** Green: Trigger 3 **7** Yellow: Split **8** VOUT
9 AOUT **10** VIN **11** AUX

WM710

7" Digital 2.4GHz Wireless Monitor

www.vipro.com.tw



- ✓ **Built-in 2.4GHz wireless receiver**
- ✓ **Transmission distance: 120meter**
- ✓ **Automatic backlighting and light control**
- ✓ **Adjustable horizontal, vertical, mirror and normal view**
- ✓ **Mirror/Normal image switch available**

Key Features

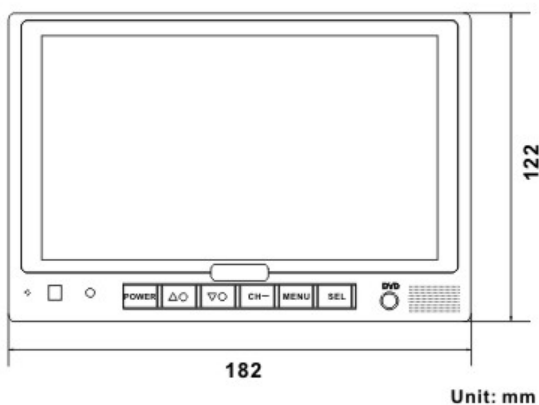
- 7 inch Digital 2.4G Wireless Monitor
- Distance: 120m (barrier-free)
- TFT LCD monitor with wide view angle and high resolution display
- Automatic backlighting and light control
- Adjustable image for horizontal, vertical, mirror and normal viewing
- Multi-lingual OSD: English, Dutch, French, German, Italian, Portuguese, Russian, Spanish
- Trigger management: one camera trigger line, auto switch to the triggered camera in standby mode
- Reverse warning yardstick
- Multiple video formats: PAL/NTSC/AUTO
- Wide power supply: 10V~32V; Support 12V or 24V automobile battery
- Application: in-vehicle, vessel surveillance or security monitor in open space

Technical Specifications

Product series	7 Inch Digital 2.4G Wireless Monitor
Model	WM710
Audio output	1W
Loudspeaker	One 15x24 mm round loudspeaker
Dot pitch	0.192 (H) x 0.1805 (V)
Resolution	800x3 (RGB) x 480
Contrast	500:1
Brightness	400cd/m ²
Viewing angle	Up: 50°, Down: 70°, Left: 70°, Right: 70°
Aspect ratio	4:3 / 16:9
Operating frequency	2400 – 2483.5MHz
Transmitting distance	120M
Receiving sensitivity	-78dBm
Decompression form	MPEG4
Emitting frequency	18dBm
Transmitting speed	12Mbps
Spread spectrum	Frequency hopping
Hopping frequency	1200Hops/S
Delaying time	400ms
Power supply	10V-32V (Automotive Storage Battery)
Power consumption	8W (maximum)
Video inputs	1 camera's video input: peak value: 1Vp-p, impedance: 75 Ohm
Audio inputs	1 camera's audio input: peak value: 1Vp-p, impedance: 4.7 Ohm
Loudspeaker	1W/8Ω
Operating temperature	-20°C~ 70°C/ -4°F~158°F RH90%
Storage temperature	-30°C~80°C/ -22°F~176°F RH90%
Certifications	R&TTE, FCC

Dimensions

(unit: mm)



Accessories



(*): optional, excluded from standard package

WM720Q

7" Quad Digital 2.4GHz Wireless Monitor



- ✓ *Dual and Quad view screen*
- ✓ *Built-in recorder (128GB TF card)*
- ✓ *Transmission range: 120m*
- ✓ *Auto pairing*
- ✓ *Auto scanning*
- ✓ *Trigger management*
- ✓ *Realtime record and video playback*

Key Features

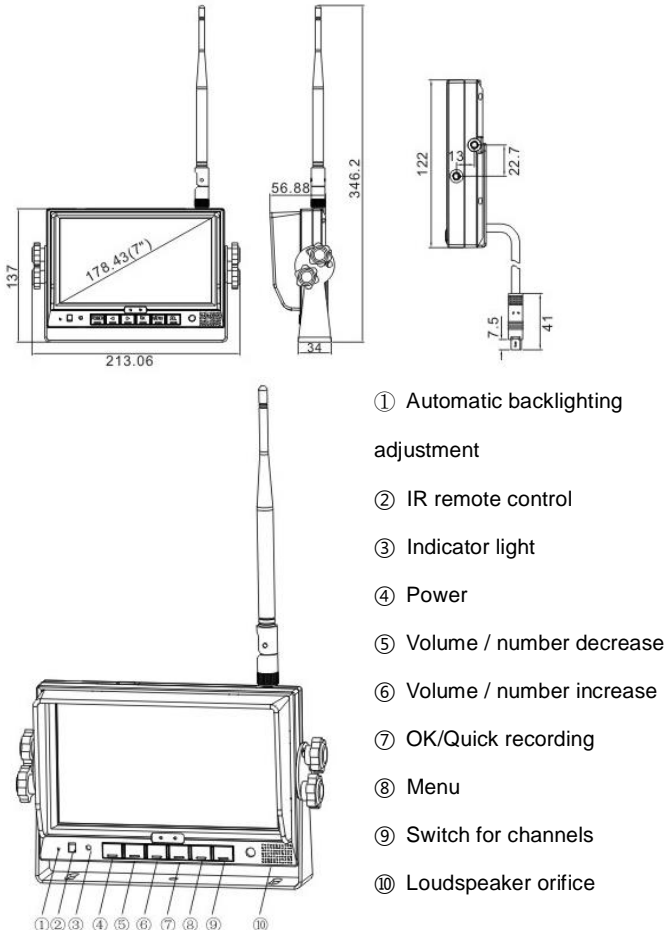
- Dual and Quad view screen
- Built-in recorder (128GB TF card)
- Distance: 120m (barrier-free)
- Auto pairing, auto scanning
- Trigger management: one camera trigger line, auto switch to the triggered camera in standby mode
- Real time record and video playback
- Multi-lingual OSD: English, Dutch, French, German, Italian, Portuguese, Russian, Spanish

Technical Specifications

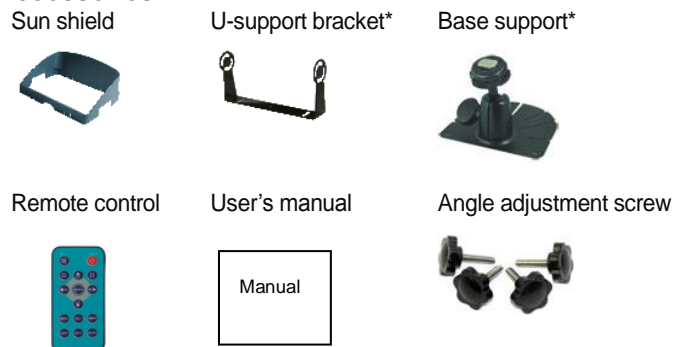
Product series	7" Quad Digital 2.4G Wireless Monitor
Model	WM720Q
Resolution	800x3 (RGB) x 480
Contrast	500:1
Brightness	400cd/m ²
Viewing angle	U: 50°, D: 70°, L/R: 70°
Aspect ratio	16:9
Channel	4CH
Operating frequency	2400 – 2483.5MHz
Transmitting distance	120M
Receiving sensitivity	-89dBm
Decompression form	MPEG4
Modulation	2.4G FSK/GFSK
TF Card	Max. 128G
System format	PAL / NTSC
Power supply	10V-32V (Automotive Storage Battery)
Power consumption	Max. 6W
Video inputs	1 camera's video input: peak value: 1Vp-p, impedance: 75 Ohm
Audio inputs	1 camera's audio input: peak value: 1Vp-p, impedance: 4.7 Ohm
Loudspeaker	1.5W/8Ω
Operating temperature	-20°C~ 70°C/ -4°F~158°F RH90%
Storage temperature	-30°C~80°C/ -22°F~176°F RH90%
Certifications	R&TTE, CE, FCC

Dimensions

(unit: mm)



Accessories



(*): optional, excluded from standard package