

ViPRO WM720Q

7" Quad Digital 2.4GHz Wireless Monitor



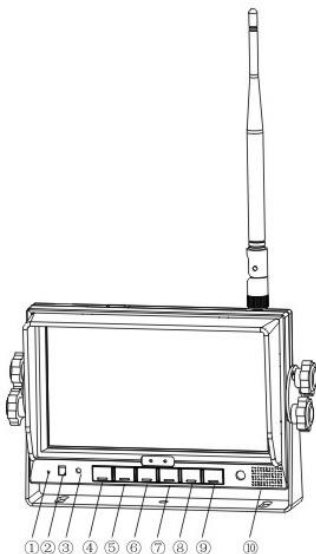
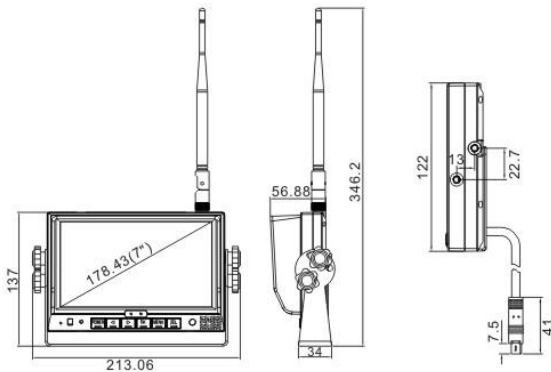
- ✓ Dual and Quad view screen
- ✓ Built-in recorder (128GB TF card)
- ✓ Transmission range: 120m
- ✓ Auto pairing
- ✓ Auto scanning
- ✓ Trigger management
- ✓ Realtime record and video playback

Key Features

- Dual and Quad view screen
- Built-in recorder (128GB TF card)
- Distance: 120m (barrier-free)
- Auto pairing, auto scanning
- Trigger management: one camera trigger line, auto switch to the triggered camera in standby mode
- Real time record and video playback
- Multi-lingual OSD: English, Dutch, French, German, Italian, Portuguese, Russian, Spanish

Dimensions

(unit: mm)



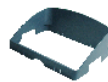
- ① Automatic backlighting adjustment
- ② IR remote control
- ③ Indicator light
- ④ Power
- ⑤ Volume / number decrease
- ⑥ Volume / number increase
- ⑦ OK/Quick recording
- ⑧ Menu
- ⑨ Switch for channels
- ⑩ Loudspeaker orifice

Technical Specifications

Product series	7" Quad Digital 2.4G Wireless Monitor
Model	WM720Q
Resolution	800x3 (RGB) x 480
Contrast	500:1
Brightness	400cd/m ²
Viewing angle	U: 50°, D: 70°, L/R: 70°
Aspect ratio	16:9
Channel	4CH
Operating frequency	2400 – 2483.5MHz
Transmitting distance	120M
Receiving sensitivity	-89dBm
Decompression form	MPEG4
Modulation	2.4G FSK/GFSK
TF Card	Max. 128G
System format	PAL / NTSC
Power supply	10V-32V (Automotive Storage Battery)
Power consumption	Max. 6W
Video inputs	1 camera's video input: peak value: 1Vp-p, impedance: 75 Ohm
Audio inputs	1 camera's audio input: peak value: 1Vp-p, impedance: 4.7 Ohm
Loudspeaker	1.5W/8Ω
Operating temperature	-20°C~ 70°C/ -4°F~158°F RH90%
Storage temperature	-30°C~80°C/ -22°F~176°F RH90%
Certifications	R&TTE, CE, FCC

Accessories

Sun shield



U-support bracket*



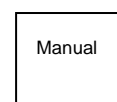
Base support*



Remote control



User's manual



Angle adjustment screw



(*): optional, excluded from standard package