

TM950GR

9" TFT LCD Recording Monitor with GPS

www.vipro.com.tw



- ✓ **Built-in recorder and GPS function**
- ✓ **Support 4 SD card at 512G capacity**
- ✓ **Automatic backlighting in dim light**
- ✓ **Resistive touch screen, reverse gear activated function**
- ✓ **Snapshot with RTC stamp**
- ✓ **Built-in backup battery**
- ✓ **Wide power supply 10V-32V**

Key Features

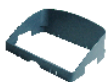
- 9" TFT LCD color quad monitor with built-in recorder
- Support 4 SD card (up to 128GB/each)
- Four camera inputs, One external GPS tracking input
- Built-in G-Sensor
- Camera image display mode: single, dual, triple, quad
- Various recording modes
- Snapshot with RTC stamp
- 4 trigger modes: once a trigger line is activated, image automatically switches to its corresponding camera; trigger priority is available
- Resistive touch screen
- Backup / left turn / right turn warning indicator
- Support IR remote control
- Loudspeaker: play audio signal from camera and external input; volume adjustable from 0 to 20
- 1 AV output, 1 AUX input, 1 HDMI input (up to 720P)
- Menu lock function
- Reverse gear activated screen
- Automatic backlight
- Automatically boot when triggered in standby mode and automatically switch to triggered channel
- Short-circuit protection function (to be added)
- Multi-lingual OSD
- Built-in 1500mAh battery for backup power supply
- Wide power supply: 10V~32V

Technical Specifications

Product series	9" TFT LCD Recording Monitor with GPS
Model	TM950GR
TV system	NTSC/PAL
Resolution	800 x 3(RGB) x 480
Frame ratio	16:9 / 4:3
Contrast	500:1
Brightness	400cd/m ²
Dot pitch	0.0825 (H) x 0.2327 (V)
Viewing angle	U: 50° / D: 70°, R/L: 70°/70°
Video input	4 camera video, 1 AUX video input; Peak value: 1Vp-p; Impedance: 75 ohm
Audio input	4 camera audio, 1 AUX audio input; Peak value: 1Vp-p; Impedance: 4.7 ohm
Storage	Micro SD card (max. 4x128G)
Recording time	328hrs/296hrs(PAL/NTSC), 4x128G
Video recording format	AVI/MSV
Coded format	H.264
Loudspeaker	1W/8Ω
Distance label	Up and down, left and right
Trigger management	4 camera trigger wires
Language system	Multi-language selectable
Outer dimension(WxHxT)	235 x 160 x 40mm / 9.25" x 6.30" x 1.57"
Weight	2KG
Shatterproof standard	2.83G
Power supply	10-32V
Power consumption	Max. 30W
Operating temperature	-20°C~70°C/ -4°F~158°F
Storage temperature	-30°C~80°C/ -22°F~176°F
Relative Humidity	RH90%
Package	10pcs/CTN, Carton: 45*40.5*50cm, 21KG

Accessories

Sun shield



AV & power supply
conversion cable



Angle adjustment
screw



Remote control



U-support bracket*



Base support



GPS Antenna

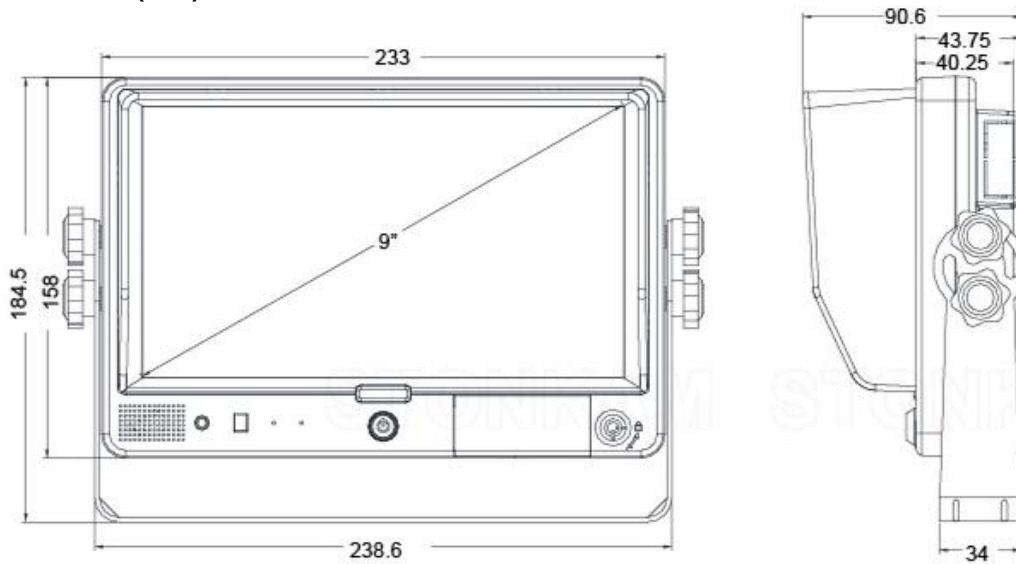
CD (player software)

User's manual

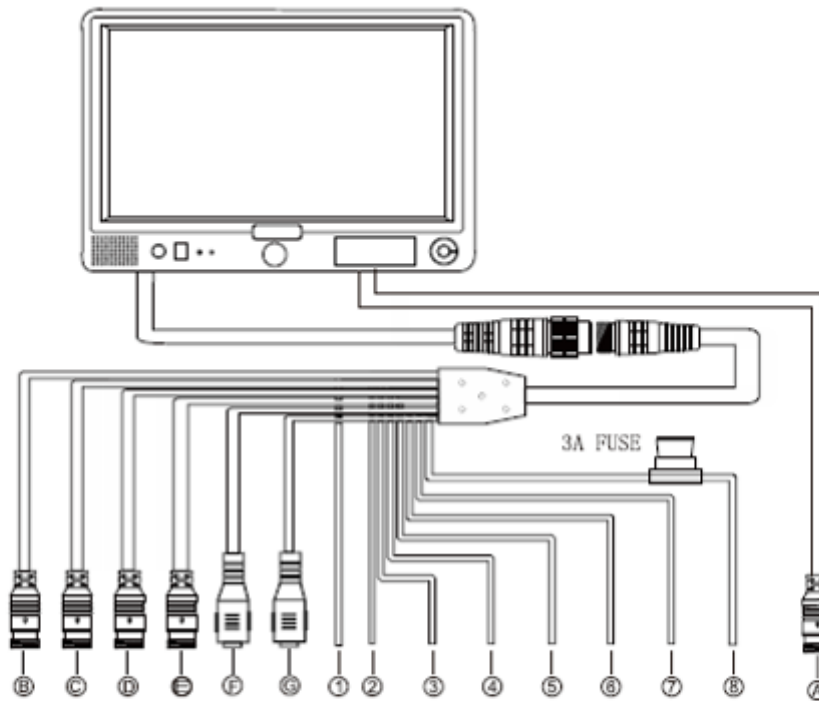
TM950GR

9" TFT LCD Recording Monitor with GPS

Dimension (mm)



Connection



- A: GPS
- B: Camera1
- C: Camera2
- D: Camera3
- E: Camera4
- F: Video Out
- G: Audio Out
- H: GPS Input
- I: White: Camera 1 trigger
- J: Blue: Camera 2 trigger
- K: Green: Camera 3 trigger
- L: Brown: Camera 4 trigger
- M: Orange: HDMI trigger
- N: Purple: Speed
- O: Black: Ground
- P: Red: VCC
- Q: GPS
- R: Camera 1
- S: Camera 2

- ① White: Camera 1 trigger
- ② Blue: Camera 2 trigger
- ③ Green: Camera 3 trigger
- ④ Brown: Camera 4 trigger
- ⑤ Orange: HDMI trigger
- ⑥ Purple: Speed
- ⑦ Black: Ground
- ⑧ Red: VCC