

# TM910

## 9" TFT LCD Digital Touch-Button Monitor

www.vipro.com.tw

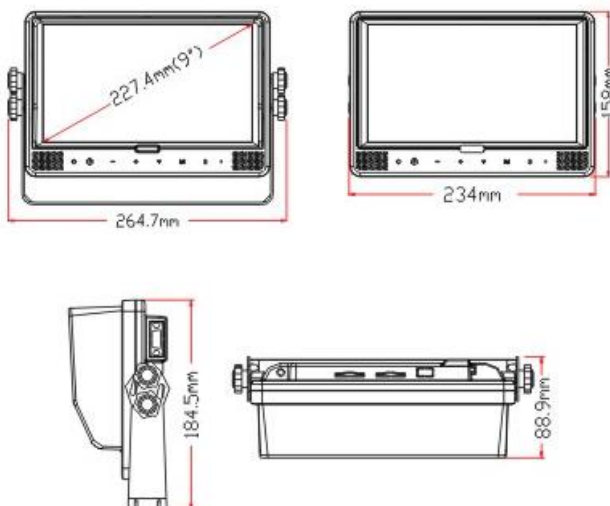


### Key Features

- 9 inch TFT LCD color touch button monitor with digital screen
- Distance label switchable and configurable for up and down, left and right based on user requirement
- Automatic backlighting in dim light longer than 5 sec (adjustable lighting brightness)
- Power supply to cameras with easy installation
- Adjustable image for horizontal and vertical viewing
- Auto scan: individual setup of each channel for on or off with interval from 1 to 90 sec
- Multi-lingual OSD: English, Dutch, French, German, Italian, Portuguese, Russian, Spanish
- Wide power supply: 10V~32V; Support 12V or 24V automobile battery

### Dimensions

(unit: mm)

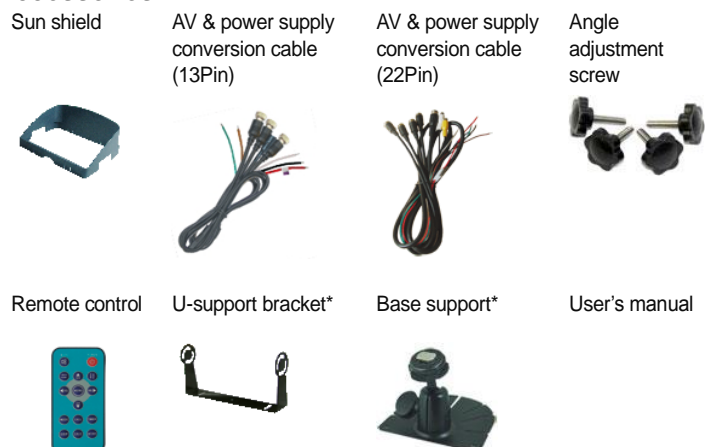


- ✓ Distance label configurable for up and down, left and right
- ✓ Auto scanning and timed image switch
- ✓ Automatic backlighting in dim light longer than 5sec
- ✓ Picture image adjustable for horizontal or vertical view
- ✓ Power supply for cameras
- ✓ Wide power supply: 10V~32V, support 12V and 24V system

### Technical Specifications

Product series	9" TFT LCD Digital Touch-Button Monitor
Model	TM910
TV system	PAL/NTSC/AUTO
Resolution	800 (H) x 480 (V)
Frame ratio	16:9 / 4:3
Contrast	500:1
Brightness	350cd/m <sup>2</sup>
Dot pitch	0.0825 (H) x 0.2327 (V)
Viewing angle	U: 50° / D: 70°, R/L: 70°/70°
Video input	13PIN: support 3 audio inputs 22PIN: support 4 audio inputs, 1 audio output and 1 video input
Distance label	up and down, left and right
Trigger management	3 or 4 camera trigger wires (once triggered, monitor automatically switches to its corresponding camera)
Language system	8 languages selectable
Outer dimension (W x H x T)	264.7 x 184.5 x 88.9mm / 10.42" x 7.264" x 3.5"
Shatterproof standard	2.83G
Power supply	Automobile storage battery (10-32V)
Power consumption	about 6W
Operating temperature	-20°C~ 70°C/ -4°F~158°F
Storage temperature	-30°C~80°C/ -22°F~176°F
Relative Humidity	RH90%
Certifications	CE

### Accessories



(\*): optional, excluded from standard package