



A Mobile Technology Company

Speed Dome Series



BL810R

1.3MP HD 20x IR Network Speed Dome

www.vipro.com.tw

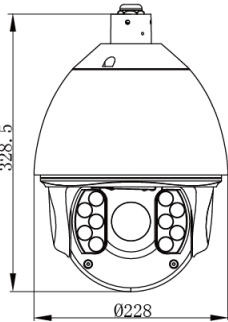


- Integrated 16 bit processors, with low power consumption
- Infrared light constant multiple sets of switch mode, Infrared night vision up to 120 meters
- 256 preset positions, data memorize after power off, with 4 alarm input and 2 alarm output
- Built-in wiper for clear view in harsh weather condition

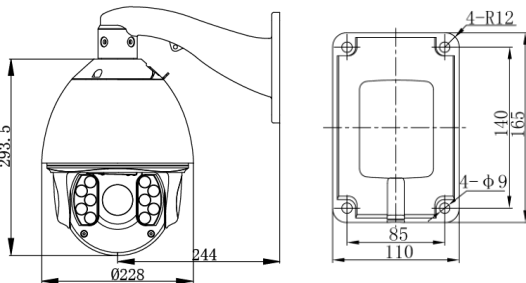
Key Features

- 960P HD Realtime resolution
- True Day/Night, WDR, 3D-DNR, Defog
- 20X Optical zoom; Dual stream and HD capture
- IR night vision distance 120m
- 360° continuously rotation, manual pan speed at 0.1°/s ~ 260°/s adjusting, Tilt range -10° ~ 90°, manual tilt speed at 90°/s, Pan preset speed max at 350°/s, tilt preset speed at 120°/s
- 4 alarm input, 2 alarm output
- Built-in wiper solve the disadvantage side of cleaning camera lens
- Telephoto limit speed function, recognizing many kinds of cameras
- 8 cruising tracks, 8 scanning commands, 4 patterns function
- Walling bracket or ceiling bracket for option

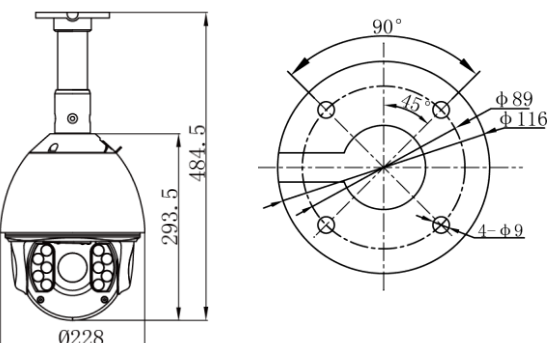
Dimensions (unit: mm)



Wall Dimension (Unit :mm)



In-ceiling Dimension (Unit:mm)



Technical Specifications

HD Camera	Camera Model	20x, 1.3 Mega pixel camera module BL810R
	Image Sensor	1/2.8" Progressive Scan CMOS
	Resolutions	50HZ:25fps(1920x960) 60HZ:30fps(1920x960) 50HZ:50fps(1920x960) 60HZ:60fps(1920x960) 50HZ:25fps(1280x720) 60HZ:30fps(1280x720) 50HZ:50fps(1280x720) 60HZ:60fps(1280x720)
	Min. Illumination	Color: 0.05Lux @ (F1.6, AGC ON) B&W: 0.01Lux @ (F1.6, AGC ON)
	S/N Ratio	>52dB
	Backlight Compensation	ON/OFF
	Iris, Focus	Auto/Manual
	White Balance	Auto/ Manual/ ATW/ Indoor/ Outdoor
	Day & Night Mode	IR Cut Filter
	Electronic Shutter	1/1s ~ 1/30,000s
	Wide Dynamic Range	Support
	Digital Noise Reduction	3D DNR
	Defog	Support
	IR Distance	80m (effective) up to 120m
Lens	Focal Length	4.7-94mm
	Zoom	20X Optical zoom
	Aperture Range	F1.6-F3.5
	Angle of View	58.3-3.2degree (Wide-Tele)
	Min. Working Distance	10mm-1500mm (Wide-Tele)
	Video Compression	H.264/MJPEG
	Audio Compression	G.711u/G.711a/G.726
	Compression Output Rate	32 Kbps~16Mbps
	Ethernet	10Base-T / 100Base-TX, RJ45 connector
	Network Protocol	TCP/IP, HTTP, DHCP, DNS, DDNS, RTP, RTSP, PPPoE, SMTP, NTP, UpnP, SNMP, FTP, 802.1x, QoS, HTTPS, IPv6 (SIP, SRTP, for optional)
Network	SD Card Interface	Micro SD Slot, 32GB capacity (Max.)
	Smart Alarm	Remote detection, Screen-covered alarm, Memory storage full, Memory storage wrong
	Video IE Browse	10 Users online simultaneous live view
	Stream	Dual streams
	User Rights	32 Users (Max.), 3 Levels: Administrator, Operator, Normal user* (browse only)
	Security Mode	User Authorization (ID/PW), MAC address binding; HTTPS encryption; IEEE 802.1x network access control, IP address filtering
	ROI Encoding	Support 24 areas, grade adjustable
	ONVIF	Support
	Pan / Tilt Range	Pan: 360° endless, Tilt: -10°~ 90°
	Pan / Tilt Preset Speed	Pan: 350°/s, Tilt: 120°/s
Pan / Tilt Control Speed	Pan: 0.1°-260°/s, Tilt: 0°-90°/s	
Dome	Preset Positions	256
	Patrol	8 patrols, up to 32 presets per patrol
	RS-485 Protocols	Pelco-D, Pelco-P, Self-adaptive
	Alarm	4 input / 2 output
	Power Supply	AC24V
	Ingress Protection	IP66 (Outdoor)
	Working Temperature	TVS 4000V lightning, surge protection -30°C~+55°C / -22°F~+131°F
	Humidity	90% or less
	Dimensions	Φ228x293.5mm / Φ8.97"x11.55"
	Weight	5KG / 11.02LBS

BL820R

2.0MP HD 20x IR Network Speed Dome

www.vipro.com.tw

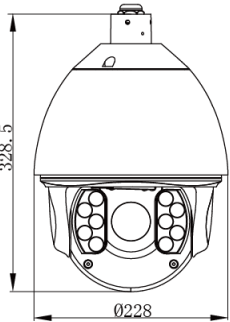


- Integrated 16 bit processors, with low power consumption
- Infrared light constant multiple sets of switch mode, Infrared night vision up to 120 meters
- 256 preset positions, data memorize after power off, with 4 alarm input and 2 alarm output
- Built-in wiper for clear view in harsh weather condition

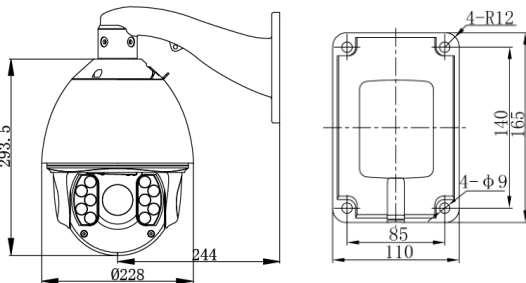
Key Features

- 1080P Full HD Realtime resolution
- True Day/Night, WDR, 3D-DNR, Defog
- 20X Optical zoom; Dual stream and HD capture
- IR night vision distance 120m
- 360° continuously rotation, manual pan speed at 0.1°/s ~ 260°/s adjusting, Tilt range -10° ~ 90°, manual tilt speed at 90°/s, Pan preset speed max at 350°/s, tilt preset speed at 120°/s
- 4 alarm input, 2 alarm output
- Built-in wiper solve the disadvantage side of cleaning camera lens
- Telephoto limit speed function, recognizing many kinds of cameras
- 8 cruising tracks, 8 scanning commands, 4 patterns function
- Walling bracket or ceiling bracket for option

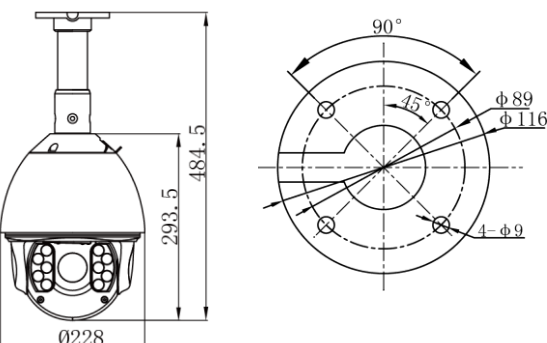
Dimensions (unit: mm)



Wall Dimension (Unit :mm)



In-ceiling Dimension (Unit:mm)



Technical Specifications

HD Camera	Camera	20x, 2.0 Mega pixel camera module
	Model	BL820R
	Image Sensor	1/2.8" Progressive Scan CMOS
	Resolutions	50HZ:25fps(1920x1080) 60HZ:30fps(1920x1080) 50HZ:25fps(1280x720) 60HZ:30fps(1280x720)
	Min. Illumination	Color: 0.05Lux @ (F1.6, AGC ON) B&W: 0.01Lux @ (F1.6, AGC ON)
	S/N Ratio	>52dB
	Backlight Compensation	ON/OFF
	Iris, Focus	Auto/Manual
	White Balance	Auto/ Manual/ ATW/ Indoor/ Outdoor
	Day & Night Mode	IR Cut Filter
	Electronic Shutter	1/1s ~ 1/30,000s
	Wide Dynamic Range	Support
	Digital Noise Reduction	3D DNR
	Defog	Support
IR Distance	80m (effective) up to 120m	
Lens	Focal Length	4.7-94mm
	Zoom	20X Optical zoom
	Aperture Range	F1.6-F4.4
	Angle of View	65.1-2.34degree (Wide-Tele)
Network	Min. Working Distance	10mm-1500mm (Wide-Tele)
	Video Compression	H.264/MJPEG
	Audio Compression	G.711u/G.711a/G.726
	Compression Output Rate	32 Kbps~16Mbps
	Ethernet	10Base-T / 100Base-TX, RJ45 connector
	Network Protocol	TCP/IP, HTTP, DHCP, DNS, DDNS, RTP, RTSP, PPPoE, SMTP, NTP, UpnP, SNMP, FTP, 802.1x, QoS, HTTPS, IPv6 (SIP, SRTP, for optional)
	SD Card Interface	Micro SD Slot, 32GB capacity (Max.)
	Smart Alarm	Remote detection, Screen-covered alarm, Memory storage full, Memory storage wrong
	Video IE Browse	10 Users online simultaneous live view
	Stream	Dual streams
	User Rights	32 Users (Max.), 3 Levels: Administrator, Operator, Normal user* (browse only)
	Security Mode	User Authorization (ID/PW), MAC address binding; HTTPS encryption; IEEE 802.1x network access control, IP address filtering
	ROI Encoding	Support 24 areas, grade adjustable
	ONVIF	Support
Dome	Pan / Tilt Range	Pan: 360° endless, Tilt: -10° ~ 90°
	Pan / Tilt Preset Speed	Pan: 350°/s, Tilt: 120°/s
	Pan / Tilt Control Speed	Pan: 0.1°-260°/s, Tilt: 0°-90°/s
	Preset Positions	256
General	Patrol	8 patrols, up to 32 presets per patrol
	RS-485 Protocols	Pelco-D, Pelco-P, Self-adaptive
	Alarm	4 input / 2 output
	Power Supply	AC24V
	Ingress Protection	IP66 (Outdoor) TVS 4000V lightning, surge protection
	Working Temperature	-30°C~+55°C / -22°F~+131°F
	Humidity	90% or less
Dimensions	Φ228x293.5mm / Φ8.97"x11.55"	
Weight	5KG / 11.02LBS	

BL830R

2.0MP HD 30x IR Network Speed Dome

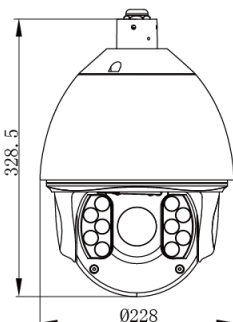


- Integrated 16 bit processors, with low power consumption
- Infrared light constant multiple sets of switch mode, Infrared night vision up to 120 meters
- 256 preset positions, data memorize after power off, with 4 alarm input and 2 alarm output
- Built-in wiper for clear view in harsh weather condition

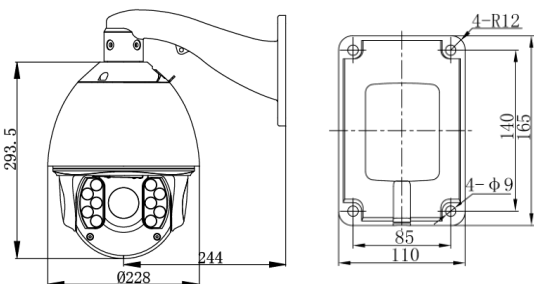
Key Features

- 1080P Full HD Realtime resolution
- True Day/Night, WDR, 3D-DNR, Defog
- 30X Optical zoom; Dual stream and HD capture
- IR night vision distance 120m
- 360° continuously rotation, manual pan speed at 0.1°/s ~ 260°/s adjusting, Tilt range -10° ~ 90°, manual tilt speed at 90°/s, Pan preset speed max at 350°/s, tilt preset speed at 120°/s
- 4 alarm input, 2 alarm output
- Built-in wiper solve the disadvantage side of cleaning camera lens
- Telephoto limit speed function, recognizing many kinds of cameras
- 8 cruising tracks, 8 scanning commands, 4 patterns function
- Wall mount bracket or ceiling mount bracket for option

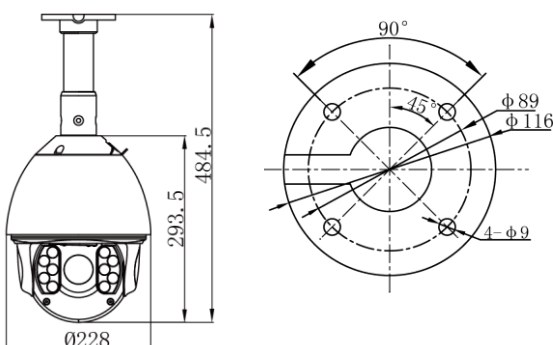
Dimensions (unit: mm)



Wall Dimension (Unit :mm)



In-ceiling Dimension (Unit:mm)



Technical Specifications

HD Camera	Camera	30x, 2.0 Mega pixel camera module	
	Model	BL830R	
	Image Sensor	1/2.8" Progressive Scan CMOS	
	Resolutions	50HZ:25fps(1920x1080) 60HZ:30fps(1920x1080) 50HZ:25fps(1280x720) 60HZ:30fps(1280x720)	
	Min. Illumination	Color: 0.05Lux @ (F1.6, AGC ON) B&W: 0.01Lux @ (F1.6, AGC ON)	
	S/N Ratio	>52dB	
	Backlight Compensation	ON/OFF	
	Iris, Focus	Auto/Manual	
	White Balance	Auto/ Manual/ ATW/ Indoor/ Outdoor	
	Day & Night Mode	IR Cut Filter	
	Electronic Shutter	1/1s ~ 1/30,000s	
	Wide Dynamic Range	Support	
	Digital Noise Reduction	3D DNR	
	Defog	Support	
Lens	IR Distance	80m (effective) up to 120m	
	Focal Length	4.5-135mm	
	Zoom	30X Optical zoom	
	Aperture Range	F1.6-F4.4	
	Angle of View	65.1-2.34degree (Wide-Tele)	
	Min. Working Distance	10mm-1500mm (Wide-Tele)	
	Video Compression	H.264/MJPEG	
	Audio Compression	G.711u/G.711a/G.726	
	Compression Output Rate	32 Kbps~16Mbps	
	Network	Ethernet	10Base-T / 100Base-TX, RJ45 connector
Network Protocol		TCP/IP, HTTP, DHCP, DNS, DDNS, RTP, RTSP, PPPoE, SMTP, NTP, UpnP, SNMP, FTP, 802.1x, QoS, HTTPS, IPv6 (SIP, SRTP, for optional)	
SD Card Interface		Micro SD Slot, 32GB capacity (Max.)	
Smart Alarm		Remote detection, Screen-covered alarm, Memory storage full, Memory storage wrong	
Video IE Browse		10 Users online simultaneous live view	
Stream		Dual streams	
User Rights		32 Users (Max.), 3 Levels: Administrator, Operator, Normal user* (browse only)	
Security Mode		User Authorization (ID/PW), MAC address binding; HTTPS encryption; IEEE 802.1x network access control, IP address filtering	
ROI Encoding		Support 24 areas, grade adjustable	
ONVIF		Support	
Dome		Pan / Tilt Range	Pan: 360° endless, Tilt: -10° ~ 90°
		Pan / Tilt Preset Speed	Pan: 350°/s, Tilt: 120°/s
		Pan / Tilt Control Speed	Pan: 0.1°-260°/s, Tilt: 0°-90°/s
		Preset Positions	256
General	Patrol	8 patrols, up to 32 presets per patrol	
	RS-485 Protocols	Pelco-D, Pelco-P, Self-adaptive	
	Alarm	4 input / 2 output	
	Power Supply	AC24V	
	Ingress Protection	IP66 (Outdoor) TVS 4000V lightning, surge protection	
	Working Temperature	-30°C~+55°C / -22°F~+131°F	
	Humidity	90% or less	
	Dimensions	Φ228x293.5mm / Φ8.97"x11.55"	
Weight	5KG / 11.02LBS		

HL810C

1.3MP HD 20x IR Network High Speed Dome

www.vipro.com.tw



- Integrated 16 bit processors, with low power consumption
- Built-in high-intensity OSRAM chips, achieving the long-range distance surveillance
- Precision 0.9° motor-driven, more stable and smooth low-speed control without jitter
- Using industrial-grade components, suitable for bad weather environment
- Suitable for Vehicle Surveillance installation

Key Features

- 960P HD Realtime resolution
- True Day/Night, WDR, 3D-DNR, Defog
- 20X Optical zoom; Dual stream and HD capture
- IR night vision distance at 80m
- Support variety of HD Platform connection
- IP66 Weather-proof design for car surveillance with special shock absorber CZ52
- With XD52 powerful magnet for portable outdoor vehicle monitoring
- Integrated with different kinds of HD camera module and HD sensor, achieving HD image capturing.
- Automatic 180° flip and panoramic monitoring without blind point, the location precision up to $\pm 0.1^\circ$
- Running stably at low speed with super low noise
- Adopt the latest H.264 video compression algorithm and DSP processing chip and platform, high compression ratio, with high quality image, and built in with digital decoder
- Apply full digital control, flexible programming, drive line compact and simple design, could take rapid positioning and continuous tracking scan

Accessories

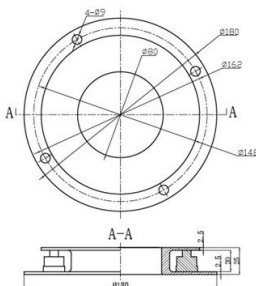
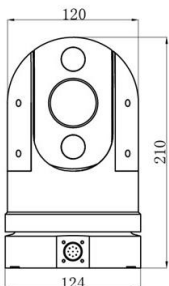


CZ52 Shock Absorber



XD52 Magnet Base
(optional)

Dimensions (unit: mm)



Technical Specifications

HD Camera	Camera	20x, 1.3 Mega pixel camera module	
	Model	HL810C	
	Image Sensor	1/2.8" Progressive Scan CMOS	
	Resolutions	50HZ:25fps(1920x960) 60HZ:30fps(1920x960) 50HZ:50fps(1920x960) 60HZ:60fps(1920x960) 50HZ:25fps(1280x720) 60HZ:30fps(1280x720) 50HZ:50fps(1280x720) 60HZ:60fps(1280x720)	
	Min. Illumination	Color: 0.05Lux @ (F1.6, AGC ON) B&W: 0.01Lux @ (F1.6, AGC ON)	
	S/N Ratio	>52dB	
	Backlight Compensation	ON/OFF	
	Iris, Focus	Auto/ Manual	
	White Balance	Auto/ Manual/ ATW/ Indoor/ Outdoor	
	Day & Night Mode	IR Cut Filter	
	Electronic Shutter	1/1s ~ 1/30,000s	
	Wide Dynamic Range	Support	
	Digital Noise Reduction	3D DNR	
	Defog	Support	
Lens	IR Distance	80m (2 groups Infrared light) / 200 m (1 group infrared lamp with 1W linkage laser light)	
	Focal Length	4.7-94mm	
	Zoom	20X Optical zoom	
	Aperture Range	F1.6-F3.5	
	Angle of View	58.3-3.2degree (Wide-Tele)	
	Min. Working Distance	10mm-1500mm (Wide-Tele)	
	Video Compression	H.264/MJPEG	
	Audio Compression	G.711 u/G.711a/G.726	
	Compression Output Rate	32 Kbps~16Mbps	
	Ethernet	10Base-T / 100Base-TX, RJ45 connector	
Network	Network Protocol	TCP/IP, HTTP, DHCP, DNS, DDNS, RTP, RTSP, PPPoE, SMTP, NTP, UpnP, SNMP, FTP, 802.1x, QoS, HTTPS, IPv6 (SIP, SRTP, optional)	
	SD Card Interface	Micro SD Slot, 32GB capacity (Max.)	
	Smart Alarm	Remote detection, Screen-covered alarm, Memory storage full, Memory storage wrong	
	Video IE Browse	10 Users online simultaneous live view	
	Stream	Dual streams	
	User Rights	32 Users (Max.), 3 Levels: Administrator, Operator, Normal user* (browse only)	
	Security Mode	User Authorization (ID/PW), MAC address binding; HTTPS encryption; IEEE 802.1x network access control, IP address filtering	
	ROI Encoding	Support 24 areas, grade adjustable	
	ONVIF	Support	
	PTZ	Pan / Tilt Range	Pan: 360° endless, Tilt: 0°~ 90° (Auto Flip)
		Pan / Tilt Preset Speed	Pan: 300°/s, Tilt: 120°/s
		Pan / Tilt Control Speed	Pan: 0.1°-220°/s, Tilt: 0.1°-90°/s
		Preset Positions	256
		Patrol	8 patrols, up to 32 presets per patrol
General	RS-485 Protocols	Pelco-D, Pelco-P, Self-adaptive	
	Alarm	1 input / 1 output	
	Power Supply	DC12V/2.5A	
	Ingress Protection	IP66 (Outdoor) TVS 4000V lightning, surge protection	
	Working Temperature	-45°C~+60°C / -45°F~+140°F	
	Humidity	90% or less	
	Dimensions	Φ124x210mm / Φ4.88"x8.06"	
Weight	2.5KG / 5.51LBS		

HL820C

2.0MP HD 20x IR Network High Speed Dome

www.vipro.com.tw



- Integrated 16 bit processors, with low power consumption
- Built-in high-intensity OSRAM chips, achieving the long-range distance surveillance
- Precision 0.9° motor-driven, more stable and smooth low-speed control without jitter
- Using industrial-grade components, suitable for bad weather environment
- Suitable for Vehicle Surveillance installation

Key Features

- 1080P Full HD Realtime resolution
- True Day/Night, WDR, 3D-DNR, Defog
- 20X Optical zoom; Dual stream and HD capture
- IR night vision distance at 80m
- Support variety of HD Platform connection
- IP66 Weather-proof design for car surveillance with special shock absorber CZ52
- With XD52 powerful magnet for portable outdoor vehicle monitoring
- Integrated with different kinds of HD camera module and HD sensor, achieving HD image capturing.
- Automatic 180° flip and panoramic monitoring without blind point, the location precision up to $\pm 0.1^\circ$
- Running stably at low speed with super low noise
- Adopt the latest H.264 video compression algorithm and DSP processing chip and platform, high compression ratio, with high quality image, and built in with digital decoder
- Apply full digital control, flexible programming, drive line compact and simple design, could take rapid positioning and continuous tracking scan

Accessories

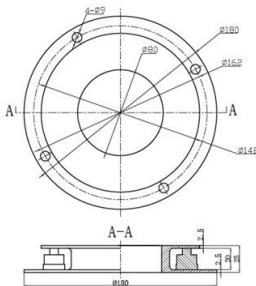
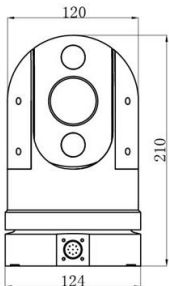


CZ52 Shock Absorber



XD52 Magnet Base (optional)

Dimensions (unit: mm)



Technical Specifications

HD Camera	Camera	20x, 2.0 Mega pixel camera module
	Model	HL820C
	Image Sensor	1/2.8" Progressive Scan CMOS
	Resolutions	50HZ:25fps(1920x1080) 60HZ:30fps(1920x1080) 50HZ:25fps(1280x720) 60HZ:30fps(1280x720)
	Min. Illumination	Color: 0.05Lux @ (F1.6, AGC ON) B&W: 0.01Lux @ (F1.6, AGC ON)
	S/N Ratio	>52dB
	Backlight Compensation	ON/OFF
	Iris, Focus	Auto/ Manual
	White Balance	Auto/ Manual/ ATW/ Indoor/ Outdoor
	Day & Night Mode	IR Cut Filter
	Electronic Shutter	1/1s ~ 1/30,000s
	Wide Dynamic Range	Support
	Digital Noise Reduction	3D DNR
Defog	Support	
IR Distance	80m (2 groups Infrared light) / 200 m (1 group infrared lamp with 1W linkage laser light)	
Lens	Focal Length	4.7-94mm
	Zoom	20X Optical zoom
	Aperture Range	F1.6-F4.4
	Angle of View	65.1-2.34degree (Wide-Tele)
Network	Min. Working Distance	10mm-1500mm (Wide-Tele)
	Video Compression	H.264/MJPEG
	Audio Compression	G.711 u/G.711a/G.726
	Compression Output Rate	32 Kbps~16Mbps
	Ethernet	10Base-T / 100Base-TX, RJ45 connector
	Network Protocol	TCP/IP, HTTP, DHCP, DNS, DDNS, RTP, RTSP, PPPoE, SMTP, NTP, UpnP, SNMP, FTP, 802.1x, QoS, HTTPS, IPv6 (SIP, SRTP, optional)
	SD Card Interface	Micro SD Slot, 32GB capacity (Max.)
	Smart Alarm	Remote detection, Screen-covered alarm, Memory storage full, Memory storage wrong
	Video IE Browse	10 Users online simultaneous live view
	Stream	Dual streams
	User Rights	32 Users (Max.), 3 Levels: Administrator, Operator, Normal user* (browse only)
	Security Mode	User Authorization (ID/PW), MAC address binding; HTTPS encryption; IEEE 802.1x network access control, IP address filtering
	ROI Encoding	Support 24 areas, grade adjustable
ONVIF	Support	
PTZ	Pan / Tilt Range	Pan: 360° endless, Tilt: 0°~ 90° (Auto Flip)
	Pan / Tilt Preset Speed	Pan: 300°/s, Tilt: 120°/s
	Pan / Tilt Control Speed	Pan: 0.1°-220°/s, Tilt: 0.1°-90°/s
	Preset Positions	256
General	Patrol	8 patrols, up to 32 presets per patrol
	RS-485 Protocols	Pelco-D, Pelco-P, Self-adaptive
	Alarm	1 input / 1 output
	Power Supply	DC12V/2.5A
	Ingress Protection	IP66 (Outdoor) TVS 4000V lightning, surge protection
	Working Temperature	-45°C~+60°C / -45°F~+140°F
	Humidity	90% or less
Dimensions	Φ124x210mm / Φ4.88"x8.06"	
Weight	2.5KG / 5.51LBS	

HL830C

2.0MP HD 30x IR Network High Speed Dome

www.vipro.com.tw



- Integrated 16 bit processors, with low power consumption
- Built-in high-intensity OSRAM chips, achieving the long-range distance surveillance
- Precision 0.9° motor-driven, more stable and smooth low-speed control without jitter
- Using industrial-grade components, suitable for bad weather environment
- Suitable for Vehicle Surveillance installation

Key Features

- 1080P Full HD Realtime resolution
- True Day/Night, WDR, 3D-DNR, Defog
- 30X Optical zoom; Dual stream and HD capture
- IR night vision distance at 80m
- IP66 Weather-proof design for car surveillance with special shock absorber CZ52
- With XD52 powerful magnet for portable outdoor vehicle monitoring
- Integrated with different kinds of HD camera module and HD sensor, achieving HD image capturing
- Automatic 180° flip and panoramic monitoring without blind point, the location precision up to $\pm 0.1^\circ$
- Running stably at low speed with super low noise
- Adopt the latest H.264 video compression algorithm and DSP processing chip and platform, high compression ratio, with high quality image, and built in with digital decoder
- Apply full digital control, flexible programming, drive line compact and simple design, take rapid positioning and continuous tracking scan

Accessories

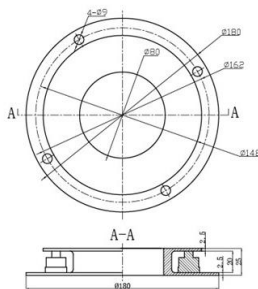
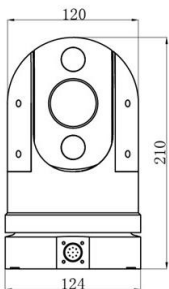


CZ52 Shock Absorber



XD52 Magnet Base (optional)

Dimensions (unit: mm)



Technical Specifications

HD Camera	Camera Model	30x, 2.0 Mega pixel camera module HL830C	
	Image Sensor	1/2.8" Progressive Scan CMOS	
	Resolutions	50HZ:25fps(1920x1080) 60HZ:30fps(1920x1080) 50HZ:25fps(1280x720) 60HZ:30fps(1280x720)	
	Min. Illumination	Color: 0.05Lux @ (F1.6, AGC ON) B&W: 0.01Lux @ (F1.6, AGC ON)	
	S/N Ratio	>52dB	
	Backlight Compensation	ON/OFF	
	Iris, Focus	Auto/Manual	
	White Balance	Auto/ Manual/ ATW/ Indoor/ Outdoor	
	Day & Night Mode	IR Cut Filter	
	Electronic Shutter	1/1s ~ 1/30,000s	
	Wide Dynamic Range	Support	
	Digital Noise Reduction	3D DNR	
	Defog	Support	
	IR Distance	80m (2 groups Infrared light) / 200 m (1 group infrared lamp with 1W linkage laser light)	
Lens	Focal Length	4.5-135mm	
	Zoom	30X Optical zoom	
	Aperture Range	F1.6-F4.4	
	Angle of View	65.1-2.34degree (Wide-Tele)	
	Min. Working Distance	10mm-1500mm (Wide-Tele)	
Network	Video Compression	H.264/MJPEG	
	Audio Compression	G.711u/G.711a/G.726	
	Compression Output Rate	32 Kbps~16Mbps	
	Ethernet	10Base-T / 100Base-TX, RJ45 connector	
	Network Protocol	TCP/IP, HTTP, DHCP, DNS, DDNS, RTP, RTSP, PPPoE, SMTP, NTP, UpnP, SNMP, FTP, 802.1x, QoS, HTTPS, IPv6 (SIP, SRTP, for optional)	
	SD Card Interface	Micro SD Slot, 32GB capacity (Max.)	
	Smart Alarm	Remote detection, Screen-covered alarm, Memory storage full, Memory storage wrong	
	Video IE Browse	10 Users online simultaneous live view	
	Stream	Dual streams	
	User Rights	32 Users (Max.), 3 Levels: Administrator, Operator, Normal user* (browse only)	
	Security Mode	User Authorization (ID/PW), MAC address binding; HTTPS encryption; IEEE 802.1x network access control, IP address filtering	
	ROI Encoding	Support 24 areas, grade adjustable	
	ONVIF	Support	
	PTZ	Pan / Tilt Range	Pan: 360° endless, Tilt: 0°~ 90° (Auto Flip)
		Pan / Tilt Preset Speed	Pan: 300°/s, Tilt: 120°/s
		Pan / Tilt Control Speed	Pan: 0.1°-220°/s, Tilt: 0.1°-90°/s
	General	Preset Positions	256
Patrol		8 patrols, up to 32 presets per patrol	
RS-485 Protocols		Pelco-D, Pelco-P, Self-adaptive	
Alarm		1 input / 1 output	
Power Supply		DC12V/2.5A	
Ingress Protection		IP66 (Outdoor) TVS 4000V lightning, surge protection	
Working Temperature		-45°C~+60°C / -31°F~+140°F	
Humidity		90% or less	
Dimensions	Φ124x210mm / Φ4.88"x8.06"		
Weight	2.5KG / 5.51LBS		

HS720

2.0MP 20x HD IR Network High Speed PTZ

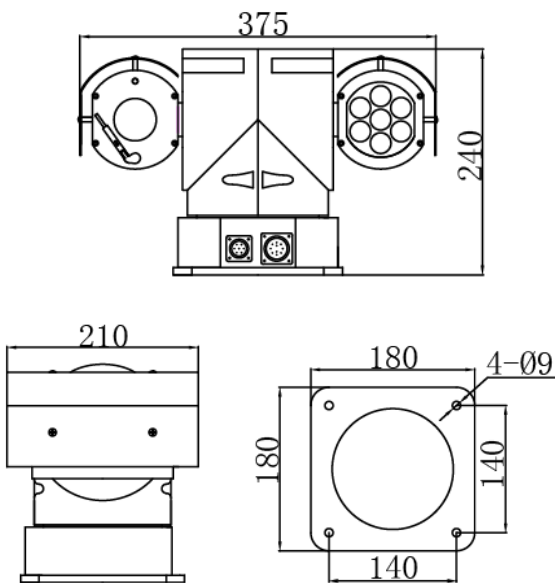
www.vipro.com.tw



Key Features

- 1080P Full HD realtime resolution
- True Day/Night, WDR, 3D-DNR, Defog
- 20X Optical zoom
- Dual stream and HD capture
- IR night vision distance 100m
- Suitable for car surveillance: DC11V-DC18V
- IP66 Weatherproof design, high die-cast aluminum casing, temperature: -35 °C ~+55 °C , with sun-shield housing and wiper
- 360° Continuous rotation, upward angle +90°~ -90°, without blind spot.
- Pan preset speed 100°/S, tilt preset speed 80°/S, with 256 preset positions, 6 cruising tracks.
- Support auto-cruise, horizontal scanning, the camera mode and displays the title.
- PTZ coordinates, the lens magnification display function.
- Car-surveillance shock absorber for option

Dimensions (unit: mm)



HS720 is an intelligent 2.0MP High Speed PTZ network camera integrated high quality HD camera module and HD sensor, achieving HD image capturing. It adopts the latest H.264 video compression algorithm and DSP processing chip and platform, high compression ratio, with high quality image, and built in with digital decoder.

It applies full digital control, flexible programming, drive line compact and simple design, thus could take rapid positioning and continuous tracking scan, really achieving full range monitoring without blind spot.

Technical Specifications

HD Camera	Camera	20x, 2.0 Mega pixel camera module	
	Model	HS720	
	Image Sensor	1/2.8" Progressive Scan CMOS	
	Resolutions	50HZ:25fps(1920x1080) 60HZ:30fps(1920x1080) 50HZ:25fps(1280x720) 60HZ:30fps(1280x720)	
	Min. Illumination	Color: 0.05Lux @ (F1.6, AGC ON) B&W: 0.01Lux @ (F1.6, AGC ON)	
	S/N ratio	>52dB	
	Backlight Compensation	ON/OFF	
	Iris, Focus	Auto/Manual	
	White Balance	Auto/ Manual/ ATW/ Indoor/ Outdoor	
	Day & Night Mode	IR Cut Filter	
	Electronic shutter	1/1s ~ 1/30,000s	
	Wide Dynamic Range	3D DNR	
	Defog	Support	
Lens	IR Distance	100m	
	Focal length	4.7-94mm	
	Focal Length	20X Optical zoom	
	Zoom	F1.6-F4.4	
	Aperture Range	65.1-2.34degree (Wide-Tele)	
Network	Angle of View	10mm-1500mm (Wide-Tele)	
	Video Compression	H.264/MJPEG	
	Audio Compression	G.711u/G.711a/G.726	
	Compression Output Rate	32 Kbps~16Mbps	
	Ethernet	10Base-T / 100Base-TX, RJ45 connector	
	Network Protocol	TCP/IP, HTTP, DHCP, DNS, DDNS, RTP, RTSP, PPPoE, SMTP, NTP, UpnP, SNMP, FTP, 802.1x, QoS, HTTPS, IPv6 (SIP, SRTP, optional)	
	SD Card Interface	Micro SD Slot, 32GB capacity (Max.)	
	Smart Alarm	Remote detection, Screen-covered alarm, Memory storage full, Memory storage wrong	
	Video IE browse	10 Users online simultaneous live view	
	Stream	Dual streams	
	User Rights	32 Users (Max), 3 Levels:Administrator, Operator, Normal user* (browse only)	
	Security Mode	User Authorization (ID/PW), MAC address binding; HTTPS encryption; IEEE 802.1x network access control, IP address filtering	
	ROI Encoding	Support 24 areas, grade adjustable	
	ONVIF	Support	
	PTZ	Pan / Tilt Range	Pan: 360° endless, Tilt: 90°~ -90°
		Pan / Tilt Preset Speed	Pan: 100°/s, Tilt: 80°/s
		Pan / Tilt Control Speed	Pan: 0°-60°/s, Tilt: 0°-40°/s
Preset Positions		256 presets, 6 cruising tracks	
Communications		RS485, built in 16 different protocols, baud rate from 2400Bps-19200Bps for option	
Mechanical	Power supply	DC12V (50VA)	
	Ingress Protection	IP66 (Outdoor)	
	Working Temperature	-35°C~+55°C / -31°F~+131°F	
	Humidity	90% or less	
	Dimensions	240x375mm / 9.44"x14.76"	
	Anti-shock Weight	KG≥4G	
Weight	6.0KG / 13.23LBS		

HS730

2.0MP 30x HD IR Network High Speed PTZ

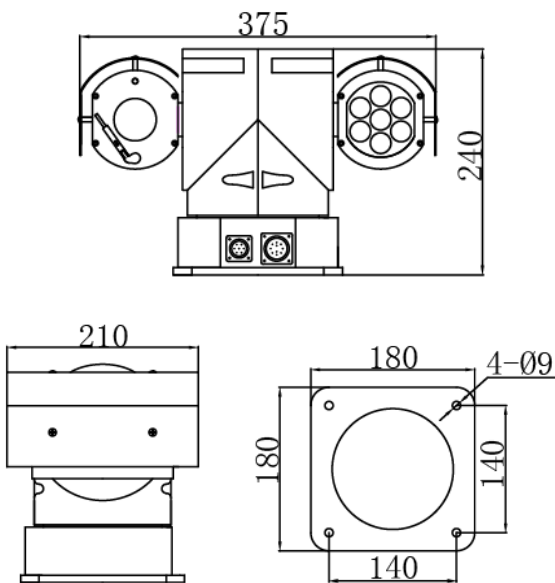
www.vipro.com.tw



Key Features

- 1080P Full HD realtime resolution
- True Day/Night, WDR, 3D-DNR, Defog
- 30X Optical zoom
- Dual stream and HD capture
- IR night vision distance 100m
- Suitable for car surveillance: DC11V-DC18V
- IP66 Weatherproof design, high die-cast aluminum casing, temperature: -35 °C ~+55 °C , with sun-shield housing and wiper
- 360° Continuous rotation, upward angle +90°~ -90°, without blind spot.
- Pan preset speed 100°/S, tilt preset speed 80°/S, with 256 preset positions, 6 cruising tracks.
- Support auto-cruise, horizontal scanning, the camera mode and displays the title.
- PTZ coordinates, the lens magnification display function.
- Car-surveillance shock absorber for option

Dimensions (unit: mm)



HS730 is an intelligent 2.0MP High Speed PTZ network camera integrated high quality HD camera module and HD sensor, achieving HD image capturing. It adopts the latest H.264 video compression algorithm and DSP processing chip and platform, high compression ratio, with high quality image, and built in with digital decoder.

It applies full digital control, flexible programming, drive line compact and simple design, thus could take rapid positioning and continuous tracking scan, really achieving full range monitoring without blind spot.

Technical Specifications

HD Camera	Camera	30x, 2.0 Mega pixel camera module	
	Model	HS730	
	Image Sensor	1/2.8" Progressive Scan CMOS	
	Resolutions	50HZ:25fps(1920x1080) 60HZ:30fps(1920x1080) 50HZ:25fps(1280x720) 60HZ:30fps(1280x720)	
	Min. Illumination	Color: 0.05Lux @ (F1.6, AGC ON) B&W: 0.01Lux @ (F1.6, AGC ON)	
	S/N Ratio	>52dB	
	Backlight compensation	ON/OFF	
	Iris, Focus	Auto/Manual	
	White Balance	Auto/ Manual/ ATW/ Indoor/ Outdoor	
	Day&Night mode	IR Cut Filter	
Lens	Electronic shutter	1/1s ~ 1/30,000s	
	Wide Dynamic Range	Support	
	Digital Noise Reduction	3D DNR	
	Defog	Support	
	IR Distance	100m	
	Focal Length	4.5-135mm	
	Zoom	30X Optical zoom	
	Aperture Range	F1.6-F4.4	
	Angle of View	65.1-2.34degree (Wide-Tele)	
	Min. Working Distance	10mm-1500mm (Wide-Tele)	
Network	Video Compression	H.264/MJPEG	
	Audio Compression	G.711u/G.711a/G.726	
	Compression Output Rate	32 Kbps~16Mbps	
	Ethernet	10Base-T / 100Base-TX, RJ45 connector	
	Network Protocol	TCP/IP, HTTP, DHCP, DNS, DDNS, RTP, RTSP, PPPoE, SMTP, NTP, UpnP, SNMP, FTP, 802.1x, QoS, HTTPS, IPv6 (SIP, SRTP, optional)	
	SD Card Interface	Micro SD Slot, 32GB capacity (Max.)	
	Smart Alarm	Remote detection, Screen-covered alarm, Memory storage full, Memory storage wrong	
	Video IE Browse	10 Users online simultaneous live view	
	Stream	Dual streams	
	User Rights	32 Users (Max.), 3 Levels: Administrator, Operator, Normal user* (browse only)	
PTZ	Security Mode	User Authorization (ID/PW), MAC address binding; HTTPS encryption; IEEE 802.1x network access control, IP address filtering	
	ROI Encoding	Support 24 areas, grade adjustable	
	ONVIF	Support	
	Pan / Tilt Range	Pan: 360° endless, Tilt: 90°~ -90°	
	Pan / Tilt preset Speed	Pan: 100°/s, Tilt: 80°/s	
	Pan / Tilt Control Speed	Pan: 0°-60°/s, Tilt: 0°-40°/s	
	Preset Positions	256 presets, 6 cruising tracks	
	Communications	RS485, built in 16 different protocols, baud rate from 2400Bps-19200Bps for option	
	Mechanical	Power supply	DC12V (50VA)
		Ingress Protection	IP66 (Outdoor)
Working Temperature		-35°C~+55°C / -31°F~+131°F	
Humidity		90% or less	
Dimensions		240x375mm / 9.44"x14.76"	
Anti-shock weight	KG≥4G		
Weight	6.0KG / 13.23LBS		