

720P AHD Mobile Metal Dome Camera

Model: D55-A10-36

Analog High resolution, 1.0Mega Pixel, 12VDC



Features:

- Metal-cased mini housing with standard fixed lens.
- Available in black finish.
- Low power consumption.
- 24 LEDs.
- Easy installation on ceiling or wall, surface or flush mount.
- Wide angle f2.1mm lens.
- High image quality and high low light performance.
- Optional audio function.

Cautions:

1. Please do not touch the glass. If necessary, use a soft cloth moistened with alcohol to wipe away the dust.
2. Please avoid placing or using the camera under direct sunlight.
3. Please ensure that the input voltage range is within the specifications.
4. Do not attempt to service the camera by yourself. Please refer all services to qualified Dealers.

Connection:

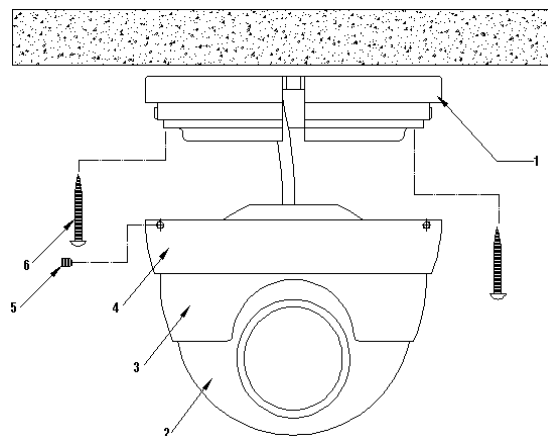


- 1---12VDC (+)
 2---12VDC/GND (-)
 3---Audio
 4---Video

Packing list:

Camera	1
Instruction Manual	1
Mounting Screw	3
Optional Lens	selectable from f2.5mm to f12mm

Operation procedures:



1. Loosen the locking screws (5) if is required, remove the mounting base (1) by rotating clockwise the locking cover (4).
2. Attach the mounting base (1) to the wall or ceiling, wherever you want to install the camera. Locate a wall stud or ceiling joint and secure the base by the supplied screws (6).
3. When picture shows up on the monitor, adjust the lens to obtain the best picture if require, make the ball camera (2) to the suitable position by rotating ball (2) and middle cover (3).
4. Fix the ball camera by rotating anti-clockwise locking cover (4) then lock the screw (5).

Specifications:

Model	D55-A10-36-R
Image Sensor	1/4" AR0141
TV System	PAL/NTSC* (optional)
Picture Elements	1280H x 720 V
Sensitivity	0 Lux (LED on)
Synchronization	Internal
Infrared Spectrum	940 nm
S/N Ratio	More than 50 dB, (AGC Off)
Auto Gain Control (AGC)	Auto
White Balance	Auto
Electronic Shutter	Auto
Back Light Compensation	Auto
Infrared LED	24LEDs
Infrared LED Range	10~15Meters
Video Output	AHD 1 Vp-p, 75Ω,
Audio Output	N/A
Mirror	Optional
Gamma Ratio	0.45
Auto-iris Lens Control	N/A
Lens	F3.6mm Megapixel
Exterior Focus Adjustment	N/A
Pan Adjusting	+/-180 Degree
Tilt Adjusting	0-62 Degree
Power Supply	12V DC (9V~18V)
Power Consumption	260mA
Dimensions (ø X H)	76.4 x 60.5 x 56mm
Net Weight	330g
Weatherproof/Water Proof	IP67 (for top side)
Operating Temperature	-25°C to +60°C

**Specifications are subject to change without prior notice.*

QG-D55-A10-36-R REV. A