

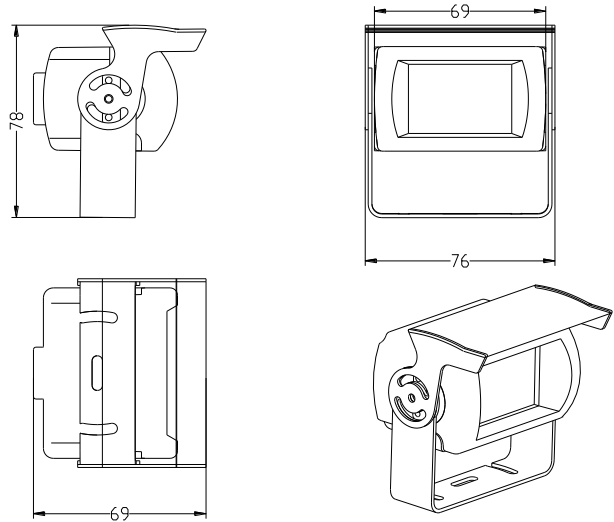
720P AHD Mobile Box Camera

Model: R61-A10-36-R

Analog High resolution, 1.0Mega Pixel, 12VDC



Dimensions:



Features:

- Metal-cased mobile box with fixed lens.
- Available in black finish.
- Low power consumption.
- Easy installation on ceiling or wall, surface or flush mount.
- Audio Output
- IP67 waterproof.

Packing list:

Camera	1
Instruction Manual	1
Self Drilling Screw	2
Mounting Plug	2
Hex-key	1
Optional Lens	selectable from f2.5mm to f12mm

Operation procedures:

1. Loosen the lock screws on the sun shield, remove the mounting bracket to the suitable position.
2. Attach the mounting bracket to the wall or ceiling, wherever you want to install the camera. Locate a wall stud or ceiling joint and secure the base by the supplied mounting screws.
3. Connect the 4 ways male din jack to the female jack on the cable.
4. Fix the lock screw.

Cable Connection:



Specifications:

Model	R61-A10-36-R
Pick up Device	1/4" CMOS
TV System	PAL/NTSC(OPTIONAL)
Effective Pixel	1280Hx720V
Sensitivity	0 lux (LED On)
Scanning System	progressive scan RGB CMOS
Synchronization	Internal
Infrared Spectrum	850nm or 940nm
S/N Ratio	More than 50dB(AGC Off)
Noise Redution	3D
Auto Gain Control (AGC)	Auto
Electronic Shutter	Auto
Back Light Compensation	Auto
Infrared LED	18
Infrared LED Range	10m
Video Output	AHD 1 Vp-p, P 75Ω
Gamma Ratio	0.45
Lens	f3.6mm Megapixel
Pan Adjusting	N/A
Tilt Adjusting	0-62 Degree
Power Supply	12V DC ±10%
Power Consumption	180mA
Dimensions (L x W x H)	69 x 76 x 78 mm
Net Weight	285g
Weatherproof/Water Proof	IP67
Operating Temperature	-20°C to +65°C

**Specifications are subject to change without prior notice.*

- Input voltage exceeding the nominal rating by over +/-10% will cause abnormal operation.

QG-R61-A10-R REV. A