

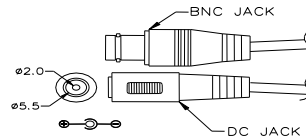
# 1/4" Colour Mini Metal Dome Camera

Model: **D55-141CI-36-R**  
*High resolution, 800 TVL, 12VDC*



### Packing list:

Camera 1  
 Instruction Manual 1  
 Mounting Screw 3  
 Option Lens selectable from f2.9mm to f12mm



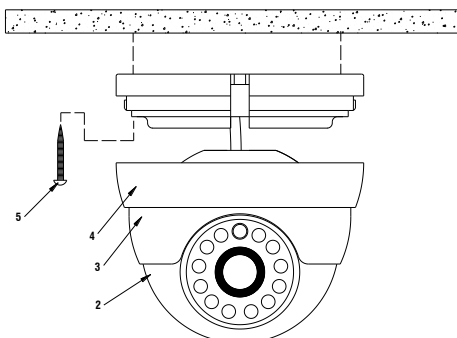
### Features:

- Metal mini dome housing with standard fixed lens.
- Available in black finish.
- Low power consumption.
- Easy installation on ceiling or wall, surface or flush mount.
- High image quality and high low light performance.

### Cautions:

1. Please do not touch the glass with your fingers. If necessary, use a soft cloth moistened with alcohol to wipe away the dust.
2. Please avoid placing or using the camera under direct sunlight.
3. Please ensure that the input voltage range is within the specifications.
4. Do not attempt to service the camera by yourself. Please refer all services to qualified dealers.

### Operation procedures:



1. Remove the mounting base (1) by rotating anti-clockwise the locking cover (4).
2. Mounting base (1) to the wall or ceiling, wherever you want to install the camera. Locate a wall stud or ceiling joint and secure the base by the supplied screws (5).
3. When picture shows up on the monitor, adjust the lens to obtain the best picture if is required, make the ball camera (2) to the suitable position by rotating ball (2) and middle cover (3).
4. Fix the ball camera by rotating clockwise locking cover (4).

### Specifications:

Model	D55-141CI-36-R
Pick up Device	1/4" CMOS ASX340CS139
TV System	PAL
Picture Elements	976H x 582V
Horizontal Resolution	800TVL
Sensitivity	0 Lux at F1.2 (Infrared LED On)
Scanning System	625TVL
	2:1 Interlace
Synchronization	Internal
Infrared Spectrum	850nm
S/N Ratio	More than 50 dB, (AGC Off)
Auto Gain Control (AGC)	Auto
White Balance	Auto
Electronic Shutter	Auto
BLC	Auto
Infrared LED	24
Infrared LED Range	20m
Video Output	1 Vp-p, BNC*1Jack
Audio Output	N/A
Mirror	N/A
Gamma Ratio	0.45
Auto-iris Lens Control	N/A
Lens	F3.6mm Standard Lens
Lens Mount	M12XP0.5mm Thread
Pan Adjusting	0-360°
Tilt Adjusting	0-45°
Power Supply	12V DC ±10%, BNC*1
Power Consumption	240mA
Dimensions (ø X H)	90 x 65mm
Net Weight	370g
Weatherproof/Water Proof	IP67
Operating Temperature	-25°C to +55°C

\*Specifications are subject to change without prior notice.

**D55-141CI-36-R REV. A**