

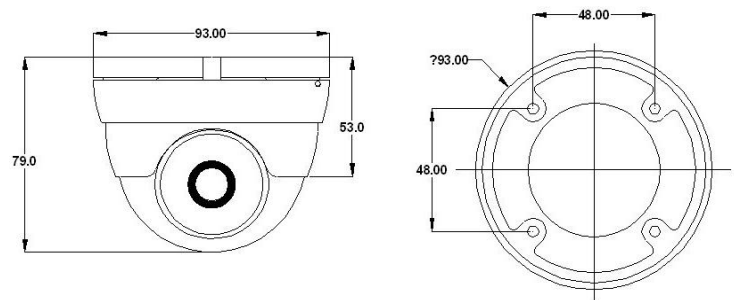


Key Features

- Metal Mini dome housing with fixed lens
- IP67 Water-proof & Vandal-proof
- Compact function for Shutter/Auto; BLC/Auto, AGC/Auto
- Dual Glass In Anti-reflection Design
- Lens Optional: 2.8/3.6/6.0mm for options
- Resolution: 600/700/800TVL/720P
- 24pcs leds, Night vision range 10~15m
- Easy installation on ceiling or wall, surface or flush mount
- High image quality and high low light performance
- Low power consumption

Dimension

(unit: mm)



Package contains

Camera x 1, Instruction manual x 1, Mounting screw x 3

Technical Specifications

Product series	Waterproof Metal Dome Camera		
Model	D55-136CAI	D55-141CAI	D55-A10
Imaging Device	1/3" Color SONY SuperHAD II CCD	1/4" CMOS A139	1/4" AHD AR0141
TV System	NTSC/PAL		
Effective Pixels (PAL/NTSC)	768(H)x494(V)/752(H)x582(V)	720(H)x480(V)/720(H)x576(V)	1280(H)x720(V)
Horizontal Resolution	600TVL/700TVL	800 TVL	720P
Minimum Illumination	0 Lux at F1.2 (IR on)	0 Lux at F1.2 (IR on)	0 Lux (IR on)
Scanning System	2:1 Interlace		
Synchronization	Internal		
S/N Ratio	≥ 50 dB (AGC off)		
Auto Gain Control	Auto		
White Balance	Auto		
Electronic Shutter	Auto		
Back Light Compensation	Auto		
IR LED	24 LEDs with 850nm	24 LEDs with 850nm	24 LEDs with 940nm
IR night vision	10~15 meter		
Video Output	1 Vp-p, 75Ω Composite		AHD 1 Vp-p, 75Ω
Audio	Optional		
Mirror	Optional		
Gamma Ratio	0.45		
Lens	f2.8mm/3.6mm(default)/6.0mm		
Pan Adjusting	+/- 360°	+/- 180°	+/- 180°
Tilt Adjusting	0° ~ 45°	0° ~ 90°	+/- 62°
Input Voltage / Current	12V DC ±10%, 4 Pin Din		
Power Consumption	310mA	280mA	260mA
Dimensions (W x H)	∅ 93 x 75 mm / ∅ 3.66" x 2.95"		
Net Weight	330g / 0.727lbs		
Weatherproof	IP67 (IP66 with Audio)		
Working Temperature	-25°C~+65°C / -13°F~+149°F	-25°C~+70°C / -13°F~+158°F	-25°C~+60°C / -13°F~+140°F
Working Humidity	RH90% Max.		