

R65

Rear View Camera for Heavy Duty

www.vipro.com.tw

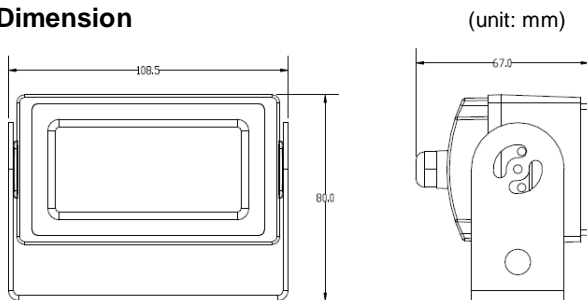


R65 is the Waterproof Metal Rear View Camera specially designed for commercial and heavy duty vehicles. The metal-cased design, IP68 weatherproof, long-range IR night vision view and low power consumption makes R65 an ideal camera for rear view vehicle surveillance.

Key Features

- Metal IR Day/Night Exterior Camera for Heavy Duty
- IP68 waterproof and dust-proof
- Vandal resistant with hardened tempered glass
- Compact function for Shutter/Auto; BLC/Auto, AGC/Auto
- Fixed lens option: 2.8/3.6/6.0/12.0mm
- 30 Infrared LEDs, vision range 20 meter
- Built-in heater and anti-fog
- Mirror view function (optional)
- Alloy shell black housing
- Wide voltage (8-18VDC)
- Low power consumption

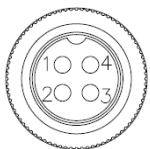
Dimension



Package contains

- Camera x 1
- Instruction manual x 1
- Self Drilling Screw x 2
- Mounting Plug x 2
- Hex-key x 1

4 Pin din Connection



- 1---12VDC (+)
- 2---12VDC/GND (-)
- 3---N/A
- 4---Video

Technical Specifications

Product series	Rear View Camera	
Model	R65	
Imaging Device	1/3" Color SONY CCD	
TV System	NTSC/PAL	
Effective Pixels (PAL/NTSC)	752(H) x 582(V) 768(H) x 494(V)	796(H)x582(V) 796(H)x494(V)
Horizontal Resolution	600 TV lines	700 TV lines
Minimum Illumination	0 Lux at F1.2 (Infrared LED on)	
Scanning System	2:1 Interlace	
Synchronization	Internal	
S/N Ratio	≥ 48 dB (AGC off)	
Auto Gain Control	Auto	
White Balance	Auto	
Electronic Shutter	Auto	
Back Light Compensation	Auto	
IR LED	30 LEDs with 850nm	
IR night vision	15~20 meter	
Video Output	1 Vp-p, 75Ω Composite	
Mirror	Optional	
Gamma Ratio	0.45	
Lens	f2.8mm/3.6mm/6.0/12.0mm	
Lens Mount	M12XP0.5mm Thread	
Pan Adjusting	N/A	
Tilt Adjusting	0° ~ 60°	
Input Voltage / Current	12V DC ±10%, DC jack	
Power Consumption	185mA (LED on)	
Heating	The infrared LED will start heating when the temperature is under 4°C (39.2°F)	
Dimensions (L x W x H)	67x108.5x80mm/2.64"x4.27"x3.15"	
Net Weight	680g / 1.499lbs	
Weatherproof	IP68	
Working Temperature	-40°C~ +70°C / -40°F ~ +158°F	
Working Humidity	RH90% Max.	
Certification	CE, FCC	