

# N72M

## 2MP Mobile IP Camera



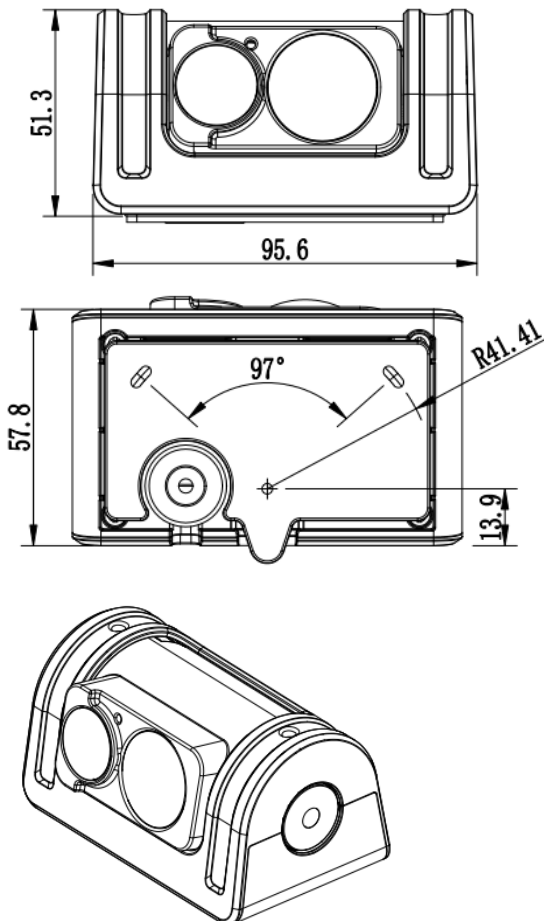
**N72M** is the Mobile IP camera tailor-made for vehicle on-board and side-mounted monitoring environment with compact and anti-vibration design. The 1.8mm wide-angle lens achieves horizontal view at 165° and vertical view at 85°. With high-power IR LED lamp, the effective night vision distance can be up to 10 meters. Featuring full HD (1920\*1080) image quality and incorporating H.265 video encoder, N72M supports triple streams for better network transmission.

### Key Features

- Support 1920x1080@30fps HD resolution
- Digital Noise Filter, Wide Dynamic Range, Auto White Light Compensation
- Three streams technology
- IP67 waterproof and dustproof
- IR distance at 10 meters, good night vision quality with minimum illumination
- Anti-vibration, vandal resistant
- Support H.265/H.264 compression
- PON (DC 12V)
- Support multiple network protocols
- Ideal for vehicle on board front and side mounting video surveillance

### Dimension

(unit: mm)



### Technical Specifications

2MP Mobile IP Camera	
Product series	Model Name: N72M
Video	Image Sensor: 1/2.8 2MP Back-illuminated Progressive Scan CMOS
	Resolution: 1920(H)*1080(V)
	Signal System: 50/60 Hz
	Minimum Illumination: 0.05Lux(Color), 0 Lux (IR on)F1.2
	Electronics Shutter: 1/30 Sec – 1/10000 Sec
	Day/Night: IR-CUT
	Wide Dynamic Range: Digital Wide Dynamic Range
	Backlight Compensation: Support
	S/N: ≥50db
	IR: 10 meters
Optical Lens	Aperture: F2.0
	Lens: 1.8mm M12 type
	FOV (H x V): 165° x 85°
Audio/Video Encode	Video Compression: H.264/H.265
	Compression Output Bit-rate: 512Kbps-8Mbps, default at 6Mbps, Constant bit-rate and Dynamic bit-rate adjustable
	Image Resolution: Main Stream:1080p/720p@30fps, default data stream at 6Mbps; Sub Stream:VGA/D1/CIF@30fps, default data stream at 1Mbps; Network Sub-stream: dynamic (self-adaptive)
	CBR/VBR: Support
	Audio Input: Built-in audio mic, 5m distance
	Audio Compression: ADPCM, G.711A, G.711U
Network	Maximum Image: 1920x1080 @ 30FPS
	Interface: 6-pin DJ M12(PON), 10M/100M Ethernet port
	Protocol: HTTP, TCP/IP, DHCP, RTSP, NTP, FTP
	ONVIF: Support
Client Terminal Preview	Built-in web server for IE browser access
Physical Characteristics	Power Supply: PON (DC12V)
	Power: <2w (Day), <4w (Night, IR on)
	Waterproof Rating: IP67
	Working temperature: -40°C~+70°C / -40°F~158°F
	Working humidity: 0% to 90%
	Dimension (L x W x H): 95.6mm x 57.8mm x 51.3mm
	Weight: To be confirmed
Installation: Inside the vehicle	Vertical and hanging mounting