

APC02

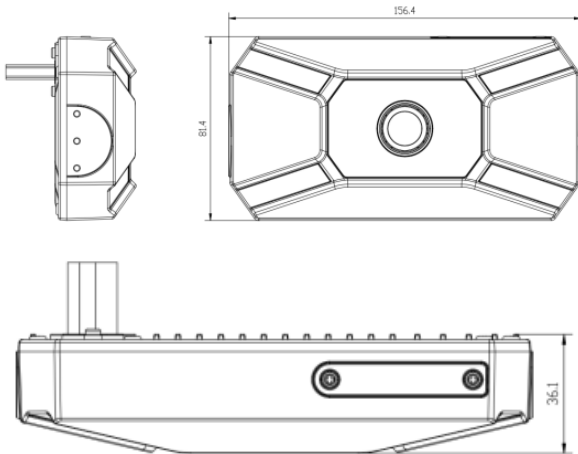
Automatic Passenger Counter



Key Features

- Supports two-way passenger counting of boarding and alighting
- Algorithm iteration to improve accuracy

Dimensions (unit: mm)



APC02 is an Automatic Passenger Counting System which accurately records boarding and alighting data. Incorporating advanced machine learning algorithms, the device can adapt to different light sources and accurately measure the number of people traversing the certain passage or entrance and exit. APC02 can work as a standalone system or connect to MDVR over LAN or RS485 port for extended features. It enables operators analyzing passenger data of boarding and alighting and improve transit management.

Technical Specifications

Product	Model	APC02 (Automatic Passenger Counter)
System	CPU	ARM Cortex-A7, main frequency 1GHz
	Memory	1GB
	Size	7 inches
	Storage	Support external 128GB memory card
	LAN	100Mbps Fast Ethernet (6PIN aviation female connector)
	SD Card	1*SD card slot (up to 128GB)
	Alarm I/O	2 channels alarm I/O
	Serial Interface	1*RS485, 4PIN small 557
	Power Input	8PIN aviation male connector
Dimension	L x W x H	156.4 *81.4 *36.1 (mm)
Operation Parameter	Operating Voltage	DC 8~36V
	Power consumption	7.5W
	Storage temperature	-40~+85°C
Environment	Operating Temperature	-30~+70°C
	Relative Humidity	0%~95%

People Counting System

